



## Quick Start Guide

# LEXION

Thermal Imaging  
Scopes

● [www.pulsar-vision.com](http://www.pulsar-vision.com)

f PulsarVision

📷 pulsar.vision

▶ pulsarvision

ENGLISH / FRANÇAIS / DEUTSCH / ESPAÑOL / ITALIANO / РУССКИЙ

**EN Attention!** Lexion thermal imaging monoculars require a license if exported outside your country.  
**Electromagnetic compliance**  
This product complies with EU Standard EN 55032:2015, Class A.  
**Warning!** Operation of this equipment in a residential environment could cause radio interference.  
For detailed information about the device, please download the complete user manual:  
[www.pulsar-vision.com/products/thermal-imaging-scopes](http://www.pulsar-vision.com/products/thermal-imaging-scopes)

**FR Attention!** Les caméras thermiques Lexion nécessitent une licence s'ils sont exportés hors de votre pays.  
**Compatibilité électromagnétique**  
Ce produit est conforme à la norme européenne EN 55032:2015, Classe A.  
**Attention!** L'utilisation de ce matériel dans un environnement résidentiel peut produire des interférences radio.  
Pour des informations détaillées sur la lunette, prière de télécharger le manuel complet d'utilisation: [www.pulsar-vision.com/products/thermal-imaging-scopes](http://www.pulsar-vision.com/products/thermal-imaging-scopes)

**DE Achtung!** Wärmebildgeräte Lexion benötigen eine Lizenz, wenn sie außerhalb Ihres Landes exportiert werden.  
**Elektromagnetische Verträglichkeit**  
Das Produkt entspricht der Europäischen Norm EN 55032:2015, Klasse A.  
**Warnung!** Der Betrieb dieses Gerätes im Wohngebiet kann Funkstörungen verursachen.  
Für detaillierte Informationen über das Gerät, bitte das vollständige Handbuch herunterladen: [www.pulsar-vision.com/products/thermal-imaging-scopes](http://www.pulsar-vision.com/products/thermal-imaging-scopes)

**ES ¡Atención!** Los monoculars de visión térmica Lexion requieren una licencia si se exportan fuera de su país.  
**Compatibilidad electromagnética**  
Este producto cumple con la reglamentación de la UE EN 55032:2015, Clase A.  
**Advertencia:** el funcionamiento de este equipo en áreas residenciales podría causar radio interferencias.  
Para obtener información detallada acerca del dispositivo, descargue el manual de usuario al completo: [www.pulsar-vision.com/products/thermal-imaging-scopes](http://www.pulsar-vision.com/products/thermal-imaging-scopes)

**IT Attenzione!** I monocoli termici Lexion richiedono una licenza se esportati al di fuori del proprio paese.  
**Compatibilità elettromagnetica**  
Questo prodotto è conforme alla norma europea EN 55032:2015, Classe A.  
**Avvertenza:** l'uso di questa apparecchiatura in un'area residenziale può causare perturbazioni radioelettriche.  
Per informazioni dettagliate sul dispositivo, scaricare il manuale d'uso completo:  
[www.pulsar-vision.com/products/thermal-imaging-scopes](http://www.pulsar-vision.com/products/thermal-imaging-scopes)

**RU Внимание!** Тепловизионные монокуляры Lexion требуют лицензии, если они экспортируются за пределы Вашей страны.  
**Электромагнитная совместимость.**  
Данный продукт соответствует требованиям европейского стандарта EN 55032:2015, Класс А.  
**Внимание:** эксплуатация данного продукта в жилой зоне может создавать радиопомехи.  
Для получения подробной информации о приборе скачайте полное руководство по эксплуатации:  
<http://www.pulsar-vision.com/ru/products/thermal-imaging-scopes>

<b>Thermal Imaging Scope Lexion</b>	<b>1-4</b>	<b>ENGLISH</b>
<b>Caméra thermique Lexion</b>	<b>5-8</b>	<b>FRANÇAIS</b>
<b>Wärmebildgerät Lexion</b>	<b>9-12</b>	<b>DEUTSCH</b>
<b>Monocular térmico Lexion</b>	<b>13-16</b>	<b>ESPAÑOL</b>
<b>Termovisore Lexion</b>	<b>17-20</b>	<b>ITALIANO</b>
<b>Тепловизор Lexion</b>	<b>21-24</b>	<b>РУССКИЙ</b>

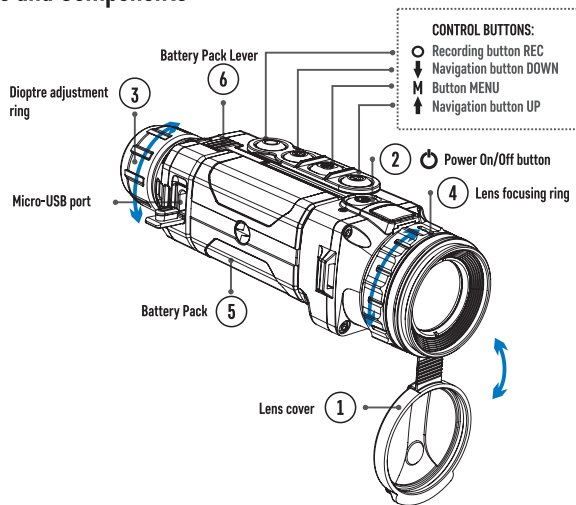


## Getting Started



### TURNING ON AND IMAGE SETUP

- Open the lens cover (1).
- Turn the device on with a short press of the **ON/OFF (2)** button.
- Rotate the **dioptre adjustment ring (3)** to see crisp image of the icons on the display.
- Rotate the **lens focusing ring (4)** to see a crisp image of the object observed.
- Select a preferable calibration mode - manual (**M**), semi-automatic (**SA**) or automatic (**A**) in the main menu.
- Calibrate the image with a short press of the **ON/OFF (2)** button (if calibration mode **SA** or **M** has been selected). Close the lens cover during manual calibration.
- Select the required operating mode (Forest / Rocks / Identification / User mode) with a short press of the **UP** button. User mode allows to change and save user brightness and contrast settings.
- Select an appropriate color palette with a long press of the **UP** button.
- Set up display **brightness, contrast and continuous zoom** in the
- **QUICK MENU** (button **MENU** - brief press).
- Turn the device off with a long press of the **ON/OFF (2)** button.

## Buttons and Components

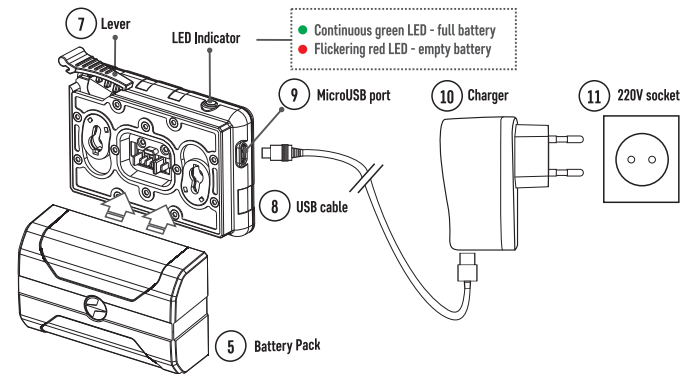


## Buttons Legend

	Brief press:	Long press:
⏻ Power ON/OFF button	Power on device / Calibrate sensor	Power off device / Display
↑ Navigation button UP	Operating modes	Color palettes
M Button MENU	Quick menu access / Confirm selection	Main menu access / exit
↓ Navigation button DOWN	Change step-up zoom	PiP mode ON/OFF
○ Recording button REC  	Start / pause / resume video recording	Photo/Video mode on / Video recording off

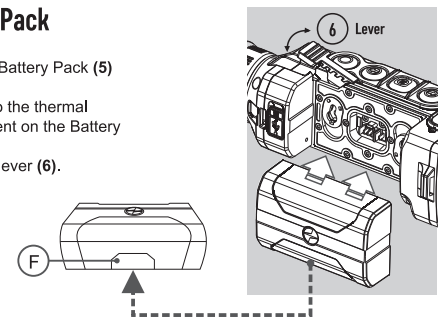
## Charging the Battery Pack

- Insert the Battery Pack (5) into the supplied charging base. Close the lever (7).
- Connect one end of the micro USB cable (8) to the microUSB port (9) of the charging base.
- Connect the other end of the micro USB cable to the charger (10).
- Connect the charger (10) to a 220V socket (11).



## Installing The Battery Pack

- Lift the lever (7). Remove the Battery Pack (5) from the charging base.
- Insert the Battery Pack (5) into the thermal imager as shown with F element on the Battery Pack facing downwards.
- Fix the battery by clicking the lever (6).



## ⚡ Stream Vision

Download the Stream Vision application to stream live video from the display of your Lexion to a smartphone / tablet PC via Wi-Fi.

Further guidelines online: [pulsar-vision.com](http://pulsar-vision.com)



## SPECIFICATIONS

MODEL Lexion SKU#	XP28 77443	XP38 77444	XP50 77445
<b>Microbolometer:</b>			
Type	uncooled	uncooled	uncooled
Resolution, pixels	640x480	640x480	640x480
Frame rate, Hz	50	50	50
Pixel size, µm	17	17	17
<b>Optical characteristics:</b>			
Magnification, x	1.4	1.9	2.5
Continuous digital zoom, x	1.4-11.2	1.9-15.2	2.5-20
Digital zoom	2x/4x/8x	2x/4x/8x	2x/4x/8x
Objective lens	F28 mm, F/1.2	F38 mm, F/1.2	F50 mm, F/1.2
Field of view (horizont.), degrees / m@100m	22 / 39	16.3 / 28.6	12.4 / 21.8
Dioptr adjustment, D	±5	±5	±5
Detection distance of an object 1.7 m high, m/y	1000/1094	1350/1476	1800/1969
<b>Display:</b>			
Type	AMOLED	AMOLED	AMOLED
Resolution, pixels	640x480	640x480	640x480
<b>Operational characteristics:</b>			
Power supply	3 – 4.2V	3 – 4.2V	3 – 4.2V
Battery type / Capacity / Output voltage	Li-Ion Battery Pack IPS7 / 6400 mAh / DC 3.7V		
External power supply	5V (USB)	5V (USB)	5V (USB)
Operating time on battery pack (at t=22°C), h*	8	8	8
Degree of protection, IP code (IEC60529)	IPX7	IPX7	IPX7
Operating temperature range	-25 °C ... +50 °C / -13 °F ... 122 °F		
Dimensions, mm	207x58x58	207x58x58	217x58x58
inch	8.1x2.3x2.3	8.1x2.3x2.3	8.5x2.3x2.3
Weight (without battery), kg	0.4	0.45	0.5
oz	14.1	15.9	17.6
<b>Video recorder</b>			
Video / photo resolution, pixel	640x480	640x480	640x480
Video / photo format	.avi / .jpg	.avi / .jpg	.avi / .jpg
Built-in memory	16 Gb	16 Gb	16 Gb
Built-in memory capacity	300 min video or >20 000 pictures		
<b>Wi-Fi channel</b>			
Frequency	2.4GHz	2.4GHz	2.4GHz
Line-of-sight reception range, m	15	15	15

\* Actual operating time depends on the extent of using Wi-Fi and integrated video recorder.

Repair of the device is possible within 5 years.

## ⚡ Package Contents

- Lexion Thermal Imaging Scope
- IPST7 Battery Pack
- Battery charger with mains charger
- USB cable
- BPS 3xAA Battery Holder
- Carrying case
- Hand strap
- Quick start guide
- Lens cloth
- Warranty card

MODEL Lexion SKU#	XQ38 77441	XQ50 77442
<b>Microbolometer:</b>		
Type	uncooled	uncooled
Resolution, pixels	384x288	384x288
Frame rate, Hz	50	50
Pixel size, µm	17	17
<b>Optical characteristics:</b>		
Magnification, x	3,1	4,1
Continuous digital zoom, x	3,1 – 12,4	4,1 – 16,4
Digital zoom	2x/4x	2x/4x
Objective lens	F38 mm, F/1.2	F50 mm, F/1.2
Field of view (horizont.), degrees / m@100m	9,8 / 17,2	7,5 / 13
Dioptr adjustment, D	±5	±5
Detection distance of an object 1.7 m high, m/y	1350/1476	1800/1969
<b>Display:</b>		
Type	AMOLED	AMOLED
Resolution, pixels	640x480	640x480
<b>Operational characteristics:</b>		
Power supply	3 – 4.2V	3 – 4.2V
Battery type / Capacity / Output voltage	Li-Ion Battery Pack IPS7 / 6400 mAh / DC 3.7V	
External power supply	5V (USB)	5V (USB)
Operating time on battery pack (at t=22°C), h*	8	8
Degree of protection, IP code (IEC60529)	IPX7	IPX7
Operating temperature range	-25 °C ... +50 °C / -13 °F ... 122 °F	
Dimensions, mm	207x58x58	217x58x58
inch	8.1x2.3x2.3	8.5x2.3x2.3
Weight (without battery), kg	0.45	0.5
oz	15.9	17.6
<b>Video recorder</b>		
Video / photo resolution, pixel	640x480	640x480
Video / photo format	.avi / .jpg	.avi / .jpg
Built-in memory	16 Gb	16 Gb
Built-in memory capacity	300 min video or >20 000 pictures	
<b>Wi-Fi channel</b>		
Frequency	2.4GHz	2.4GHz
Line-of-sight reception range, m	15	15

*This product is subject to change in line with improvements to its design.  
The latest edition of this user manual is available online at [www.pulsar-vision.com](http://www.pulsar-vision.com)*