



# Talion

# Manual

# Content

## About the device

- Description
- Package Contents
- Features
- Components and Controls

## Power supply

- Battery Charging
- Battery Installation
- External Power Supply
- Precautions
- Recommendations for Use

## Getting Started

- Mounting on the Rifle
- Powering on and Image Setting
- Button Operation
- Zeroing

## Interface

- Status Bar
- Quick Menu
- Main Menu
  - Enter the Main Menu
  - Reticle & Zeroing
    - Zeroing Profile
    - Reticle Type
    - Reticle Colour
    - Reticle Brightness
    - Zeroing
      - Add New Distance
      - Zeroing Parameters Settings
      - Windage/Elevation

Magnification (when Zeroing)

Freeze

Name Distance

Change Primary Distance

Delete Distance

Smoothing Filter

Colour Modes

User Mode

Icon Brightness

Wi-Fi Activation

Wi-Fi Settings

Microphone

Calibration Mode

General Settings

Accelerometer

Auto Shutdown

Side Incline

Defective Pixel Repair

Defective Pixel Repair

Restore Default Pixel Map

Device Information

## Functions

Amplification Level

Video Recording and Photography

Discrete Digital Zoom

PiP Function

Display-Off Function

Wi-Fi Function

Scalable Reticles

Stadiametric Rangefinder

USB Connection

## Software

Stream Vision 2

Firmware Update

## Maintenance

Technical Inspection

Technical Maintenance

Troubleshooting

Specifications

Legal Compliances and Disclaimers

# Description

**Talion** thermal imaging riflescopes are designed for use both at night-time and during the day and provide exceptional image quality even in adverse weather conditions (fog, smog, rain) and beyond obstacles like branches, tall grass, dense foliage, etc. known to hinder target detection.

Unlike riflescopes based on electrical-to-optical converters, thermal imaging riflescopes do not require an external light source and are resistant to high levels of illumination.

These riflescopes are designed for hunting, target shooting and recreational shooting, observation and orientation.

---

To get started, see the sections:

[\*\*Battery Charging\*\*](#)

[\*\*Battery Installation\*\*](#)

[\*\*Mounting on the Rifle\*\*](#)

[\*\*Powering on and Image Setting\*\*](#)

[\*\*Zeroing\*\*](#)

# Package Contents

- Thermal imaging riflescope Talion
- Removable rubber eyecup
- APS5 Battery Pack
- Adapter for APS5 battery (2 pcs.)
- APS5 battery charger
- Power adapter
- USB Type-C cable with USB Type-A adapter
- Carrying case
- Lens-cleaning cloth
- Quick User Manual
- Warranty card

# Features

- Built-in 3-axis accelerometer gyroscope (slope angle indication)
- 3 levels of sensitivity enhancement: Normal, High, Ultra
- 3 calibration modes: manual, semi-automatic and automatic
- Smooth Digital Zoom
- Multiple reticle options
- Scalable reticles (proportional to Zoom)
- 5 zeroing profiles (10 distances per profile)
- One-shot “Freeze-Zeroing” function
- Precise “Zoom zeroing” (reducing the MOA per click when zooming in)
- 8-color display palette
- Pixel repair function
- “Display-Off” function
- Integrated Wi-Fi for remote control and personal device connectivity
- Device firmware update using the free Stream Vision 2 App
- Recoil rated to .375H&H, 9.3x64 and 12-gauge

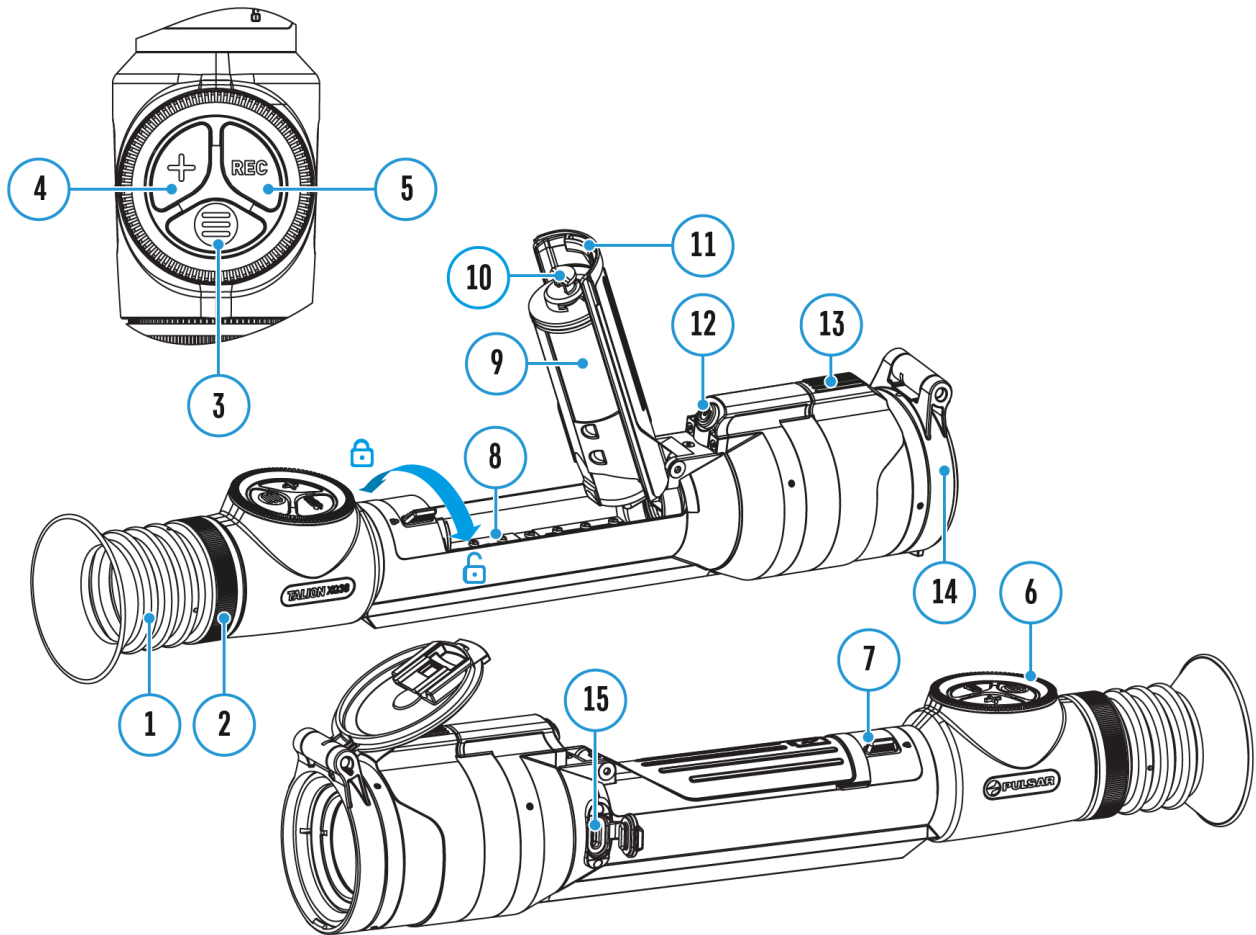
## Video Recording

- Built-in photo and video recorder with audio
- 16 GB internal memory
- iOS and Android compatible
- Storing photos and videos in Cloud when using the Stream Vision 2 App

## Battery Pack

- Quick-change rechargeable Li-Ion 4900 mAh Battery Pack APS5
- Charging via USB Type-C port

# Components and Controls



1. Eyecup
2. Eyepiece diopter adjustment ring
3. MENU button
4. ZOOM button
5. REC button
6. Controller
7. Battery compartment cover lock
8. Battery compartment
9. Battery APS 5
10. APS 5 adapter
11. Battery compartment cover
12. ON/OFF button

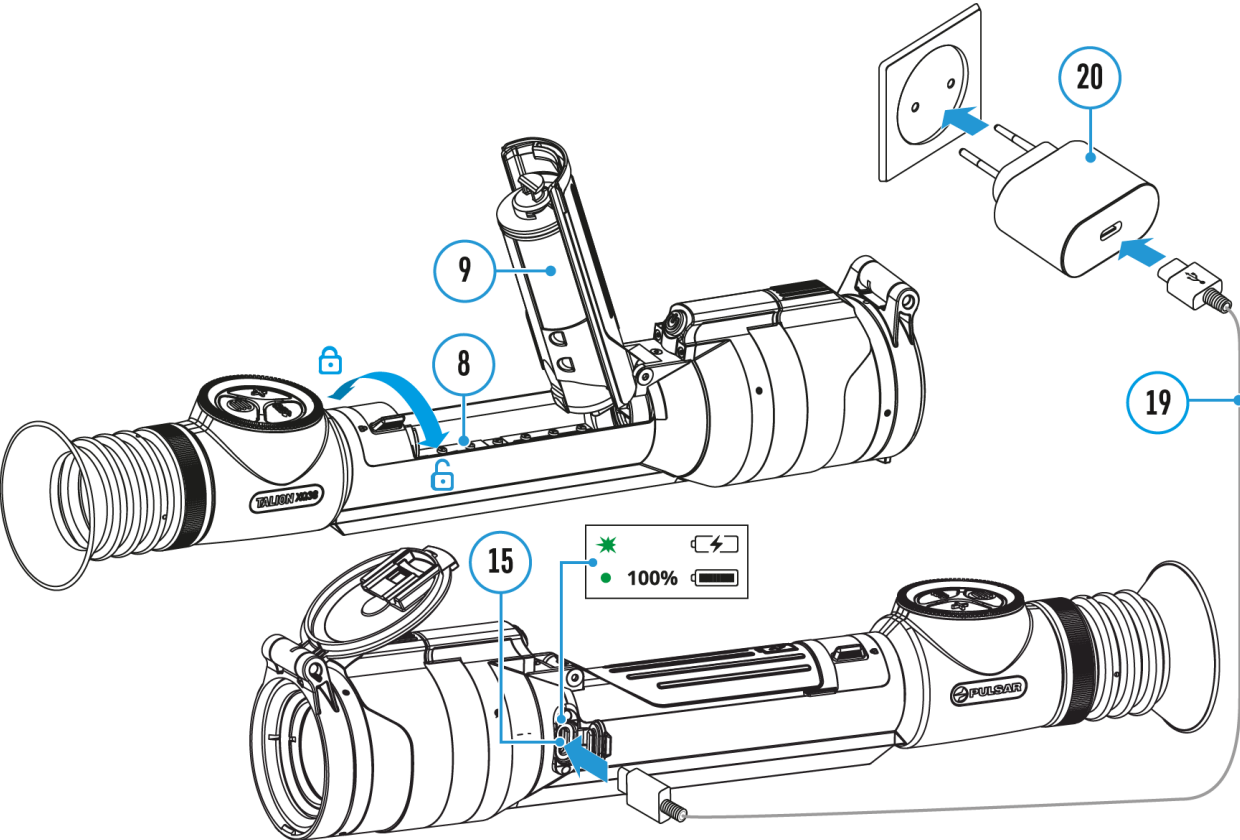


13. Lens focus control
14. Lens cap
15. USB Type-C port

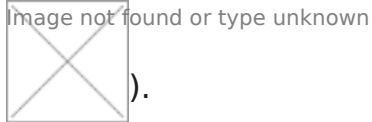
# Battery Charging

Taliothermal imaging riflescopes come with a built-in rechargeable lithium-ion Battery Pack APS5. The battery should be charged before first use.

## Option 1

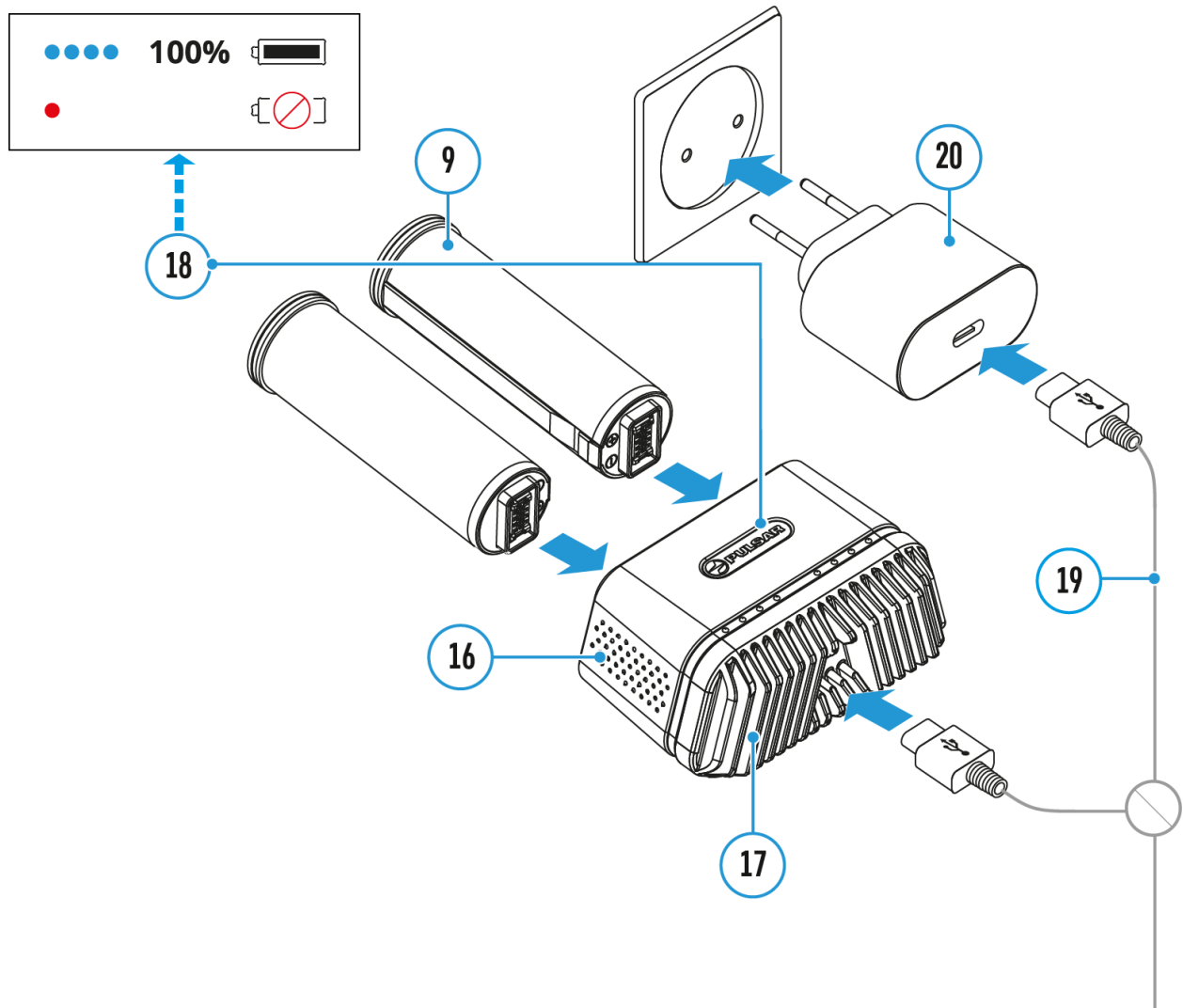


1. **Install** the APS 5 battery **(9)** in the battery compartment **(8)** of the device.
2. Connect the USB Type-C cable **(19)** to the USB Type-C connector **(15)** of the device.
3. Connect the other end of the USB Type-C cable **(19)** to the Power Adapter **(20)** by removing the USB Type-A adapter.
4. Plug the Power Adapter **(19)** into a 100-240 V socket.
5. Wait until the battery is fully charged (indication in the status bar:



LED indication	Battery charge status
•	Battery is charging
•	Battery is fully charged

## Option 2



1. Insert the APS 5 battery **(9)** along the guide into the APS 5 charger\* **(16)** slot as far as it will go. The APS 5 charger is supplied with your device or purchased separately.
2. Connect the other end of the USB Type-C cable **(19)** to the Power Adapter **(20)** by removing the USB Type-A adapter.
3. Plug the Power Adapter **(20)** into a 100-240 V socket.
4. Connect the other end of the USB Type-C cable **(19)** to the USB Type-C connector **(17)** of the charger.
5. LED indicators **(18)** will display the battery charge level (see Table).
6. Wait until the battery is fully charged (LED indication **(18)**: ● ● ● ● ).

*Note:* Two batteries\* can be charged at the same time, a second slot is provided for it.

LED indication (18) in the battery charging mode	Battery Level
•	Battery charge level is from 0% to 25%
• •	Battery charge level is from 26% to 50%
• • •	Battery charge level is from 51% to 80%
• • • •	Battery charge level is from 81% to 99%
• • • •	Battery is fully charged. It can be disconnected from the charger.
•	Defective battery. <b>Do not use the battery!</b>

LED indication (18) in the standby mode**	Battery Level
•	Battery charge level is from 0% to 25%
•	Battery charge level is from 26% to 50%
• •	Battery charge level is from 51% to 80%
• • •	Battery charge level is from 81% to 99%
• • • •	Battery is fully charged. It can be disconnected from the charger.
•	Defective battery. <b>Do not use the battery!</b>

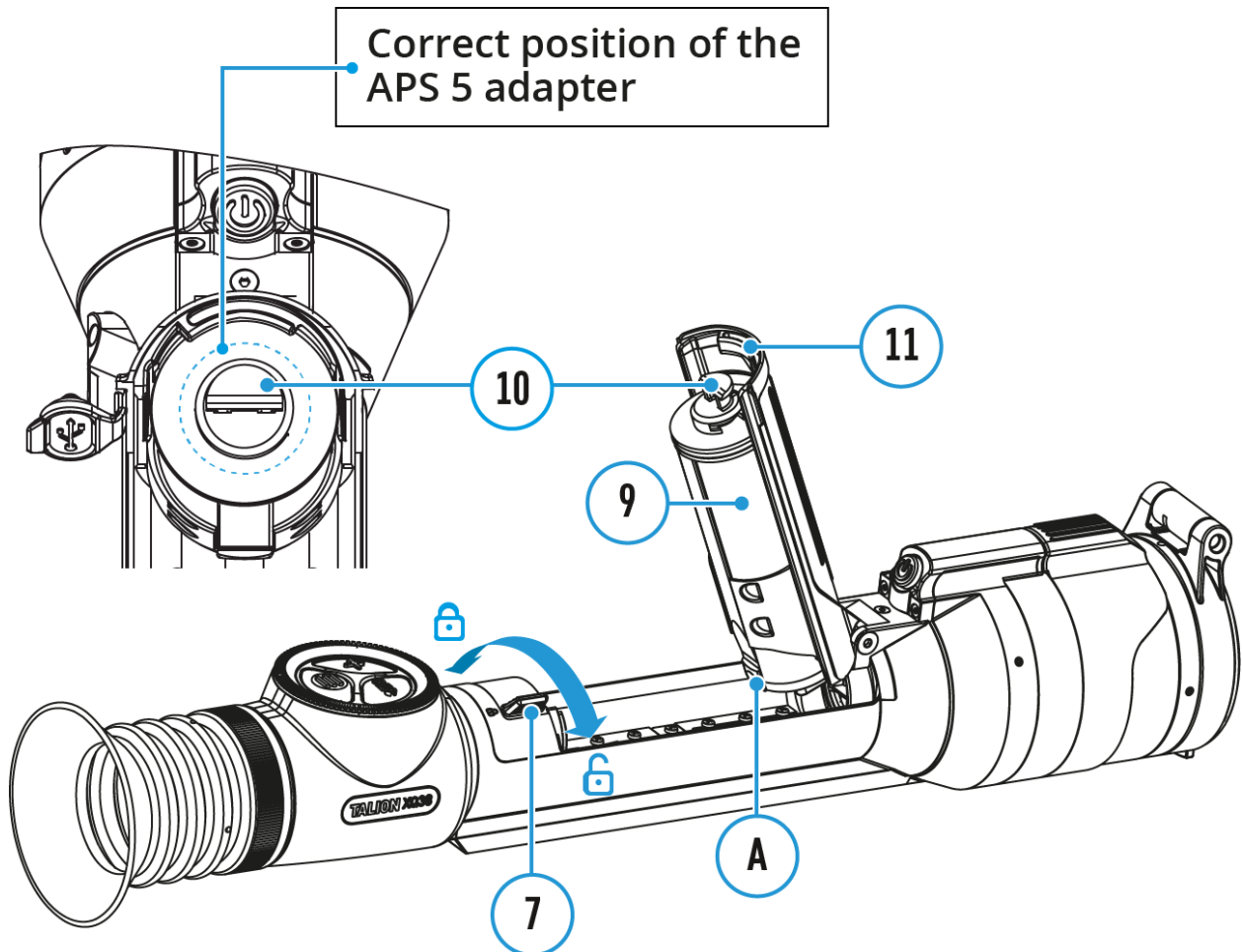
\* Available separately



\*\* Standby mode is when the batteries are in the charger but the Power Adapter is not connected. In this mode, the indicators are only on for 10 seconds.

**Attention!** When using a Power Adapter that does not support USB Power Delivery fast charging technology, the flicker frequency of the LED indicators decreases by a factor of 3 and the charge time increases.

**Attention!** The charger heats up during fast charging. Excess heat is removed through the radiator and does not affect the device operation.

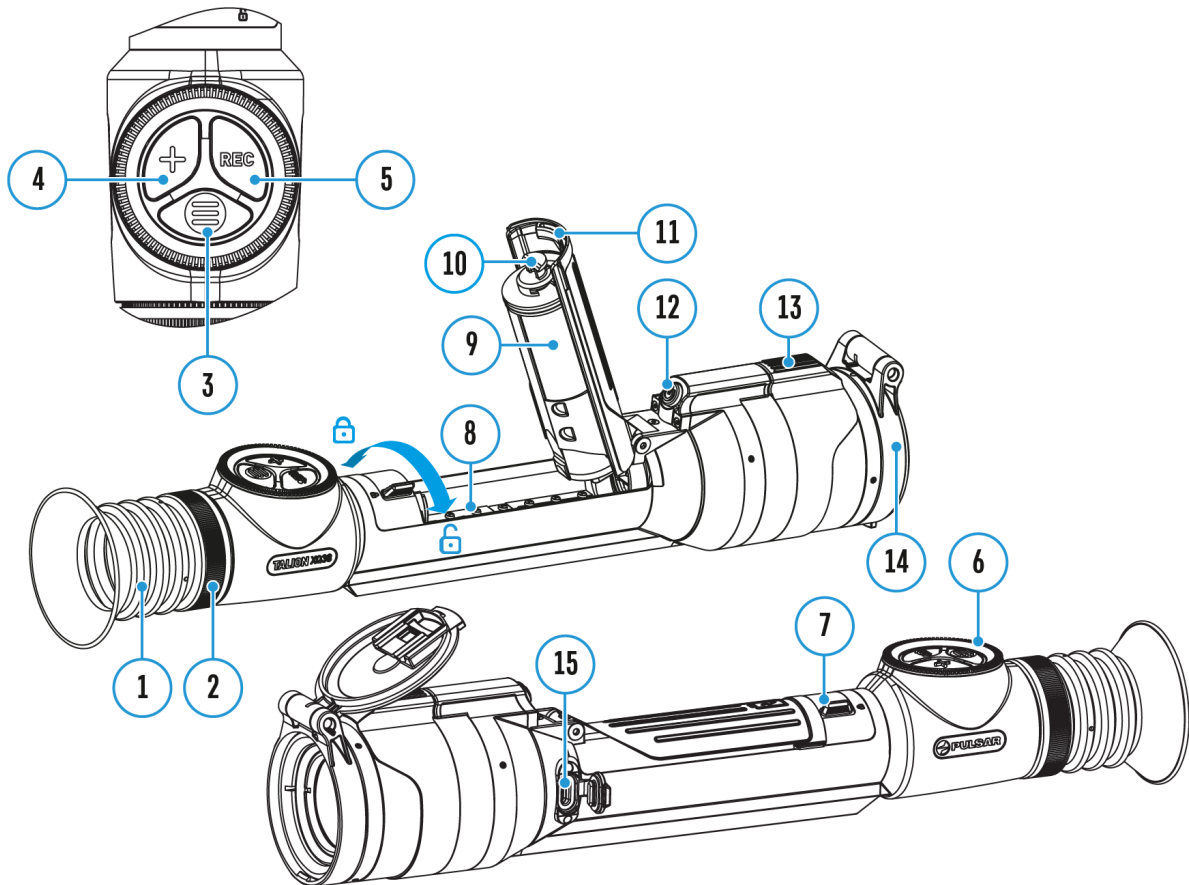
# Battery Installation




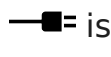
1. Set the battery compartment lock **(7)** to the far right position .
2. Open the battery compartment cover **(11)**.
3. Insert the APS5 battery **(9)** with the attached APS5 adapter **(10)** under the battery compartment cover **(11)** as shown in the image. The protrusion **(A)** on the battery should fit into the groove between the fasteners under the battery compartment cover **(11)**.
4. Close the battery compartment cover **(11)**.
5. Move the lock **(7)** to the far left position .

# External Power Supply

## Show device diagram



External power can be supplied from an external source, such as a Power Bank (5 V, 9 V).

1. Connect the external power supply to the micro USB Type-C port **(15)** of the riflescope.
2. The riflescope switches to external power source, while the APS5 Battery Pack will gradually recharge.
3. A rechargeable battery icon  indicating a percentage of the battery life will appear in the status bar.
4. If the riflescope operates on external power supply but the Battery Pack is not installed, an icon  is shown.
5. When external power supply is disconnected, the riflescope switches to



the APS5 battery pack without powering off.

---

**Warning!** Charging APS5 batteries at air temperatures below 0° C (32° F) may reduce battery life. When using external power, connect the Power Bank to the device after it has been turned on and working for several minutes.

# Precautions

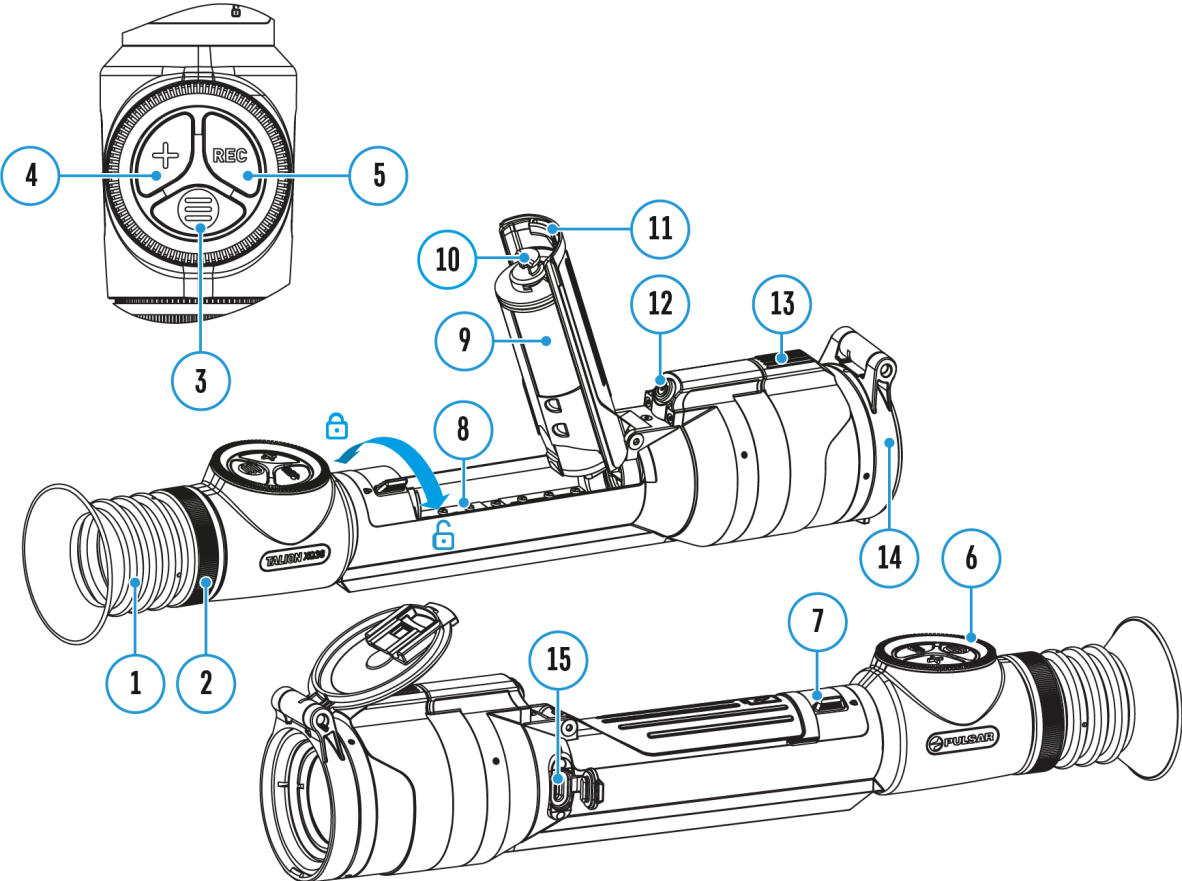
- Always use the APS 5 charger supplied with the device (or purchased separately) to charge the APS 5 Battery Pack. The use of any other charger may irreparably damage the Battery Pack or the charger and may cause fire.
- Do not charge the Battery Pack immediately after bringing it from a cold environment to a warm one. Wait for 30-40 minutes for the Battery Pack to get warm.
- Do not leave the Battery Pack unattended while charging.
- Never use a modified or damaged charger.
- Do not leave the Battery Pack with a charger connected to the power adapter after charging is complete.
- Do not expose the Battery Pack to high temperatures or an open flame.
- Do not submerge the Battery Pack in water.
- Do not connect an external device with a current consumption that exceeds permitted levels.
- Do not dismantle or deform the Battery Pack.
- Do not drop or hit the Battery Pack.
- Keep the Battery Pack out of the reach of children.

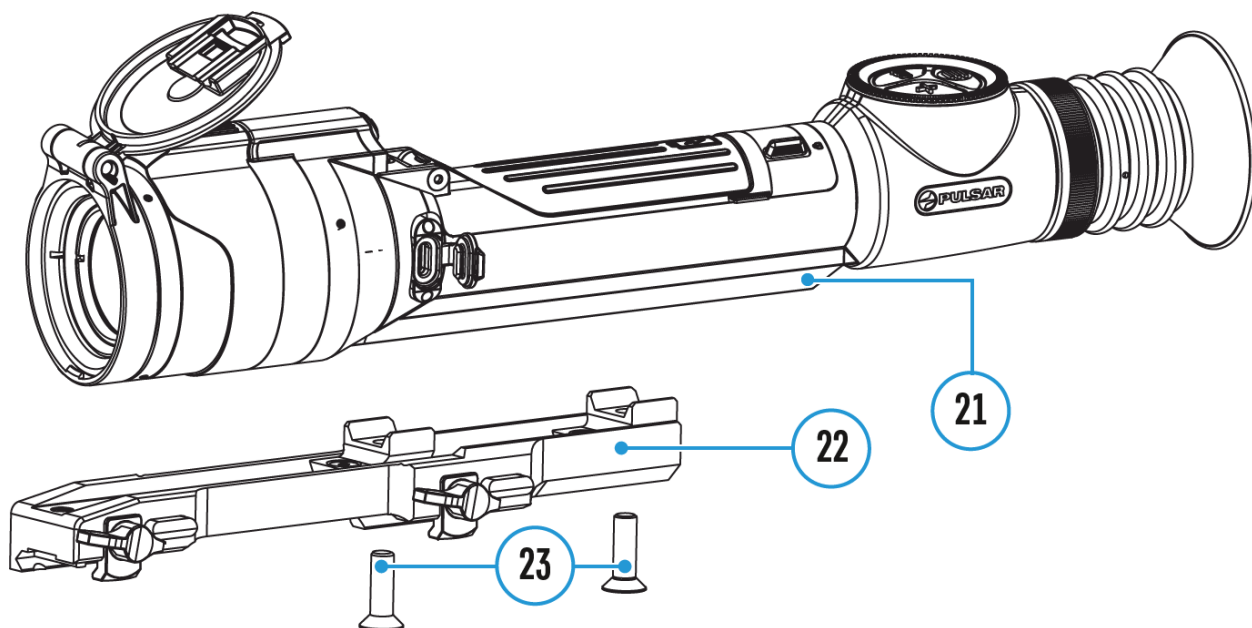
# Recommendations for Use

- The battery should be partially charged for long-term storage – 50 to 80 %.
- Charge the Battery Pack at a temperature from 0° C to +45° C (32° F to +113° F), otherwise the battery life will decrease significantly.
- When using the Battery Pack at sub-zero (sub 32° F) temperatures the battery capacity decreases. This is normal and is not a defect.
- Do not use the Battery Pack at temperatures above those shown in the table – this may decrease battery life.
- The Battery Pack is short circuit protected; however, any situation that may cause short-circuiting should be avoided.

# Mounting on the Rifle

Show device diagram





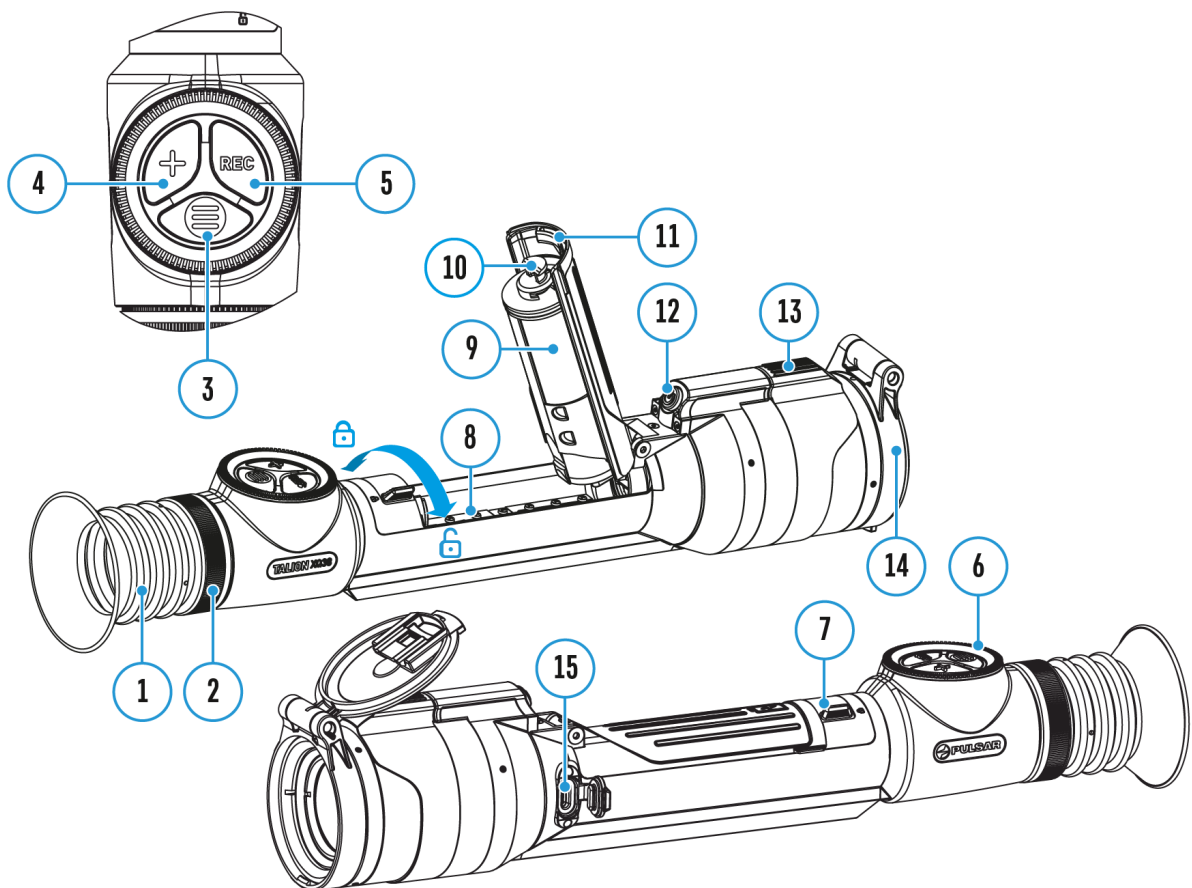
To ensure accurate shooting the **Talion** riflescope should be properly mounted on the rifle.

1. Secure the support\* **(22)** on the riflescope mount **(21)** using a hex key\* and two screws\* M6x20 mm **(23)**.
2. Choosing the position of the mount helps to ensure the correct eye relief, depending on the type of rifle.
3. Install the riflescope with the mount on the rifle and check if the position is suitable for you, then remove it.
4. Unscrew the screws **(23)** halfway, apply some thread sealant onto the thread of the screws **(23)** and tighten them fully. Let the sealant dry for the time specified in the instructions. The riflescope is ready to be installed on a rifle and to be zeroed.
5. Before using the riflescope (especially for hunting), follow instructions in the **Zeroing** section.

\* Available separately





# Powering on and Image Setting

## Show device diagram



1. Remove the lens cover **(14)**.
2. Turn the unit on with a short press of the **ON/OFF (12)** button.
3. Adjust the sharpness of the symbols on the display by rotating the dioptre adjustment ring of the eyepiece **(2)**.
4. Rotate the lens focus control **(13)** to focus on visual target.
5. Enter the main menu with a long press of the **MENU (3)** button and select the desired **calibration mode** by rotating the controller: manual **(M)**, semi-automatic **(SA)** or automatic **(A)**.
6. Calibrate the image with a short press of the **ON/OFF (12)** button

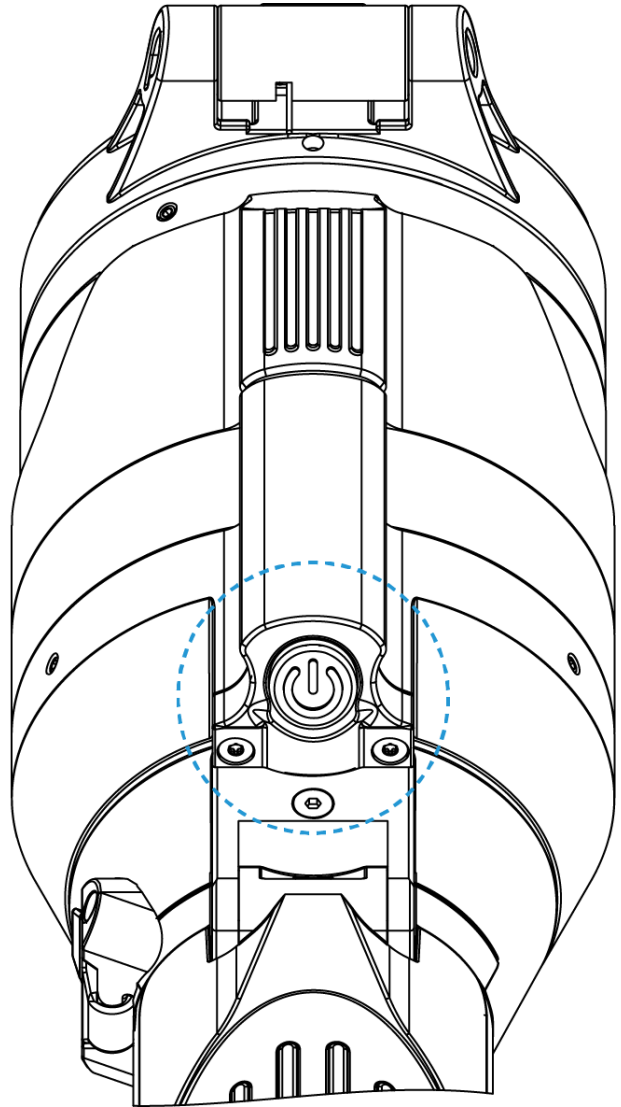
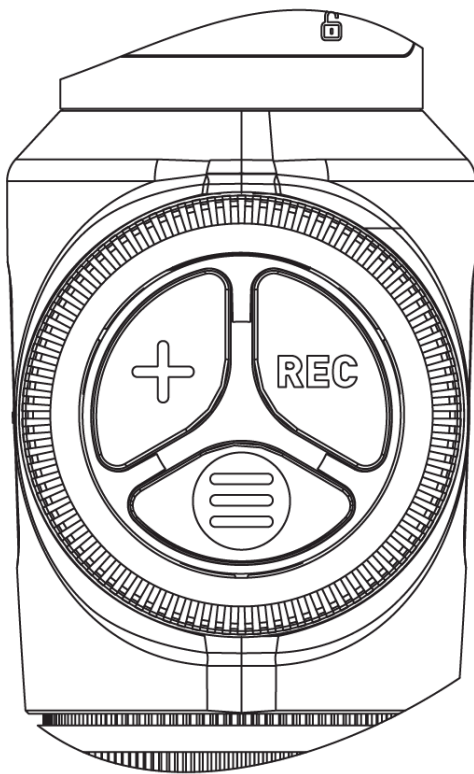
(when calibration mode **SA** or **M** has been selected). Close the lens cap before manual calibration.

7. Activate the quick menu by briefly pressing the **MENU (3)** button to select the **amplification level** (“Normal” , “High” , “Ultra” ) , adjust the brightness and contrast (see the **Quick Menu** section).
8. Press the **ZOOM (4)** button successively to change the magnification ratio of the riflescope. While the icon  is visible on the screen, rotate the controller **(6)** for smooth digital zooming from the current magnification.
9. Power the device off with a long press of the **ON/OFF (12)** button.

---


















**Warning!** Never point the lens at intensive energy sources such as laser radiation emitting devices or the sun. It can damage electronic components in the device. The warranty does not cover damage arising from failure to comply with operating instructions.

# Button Operation



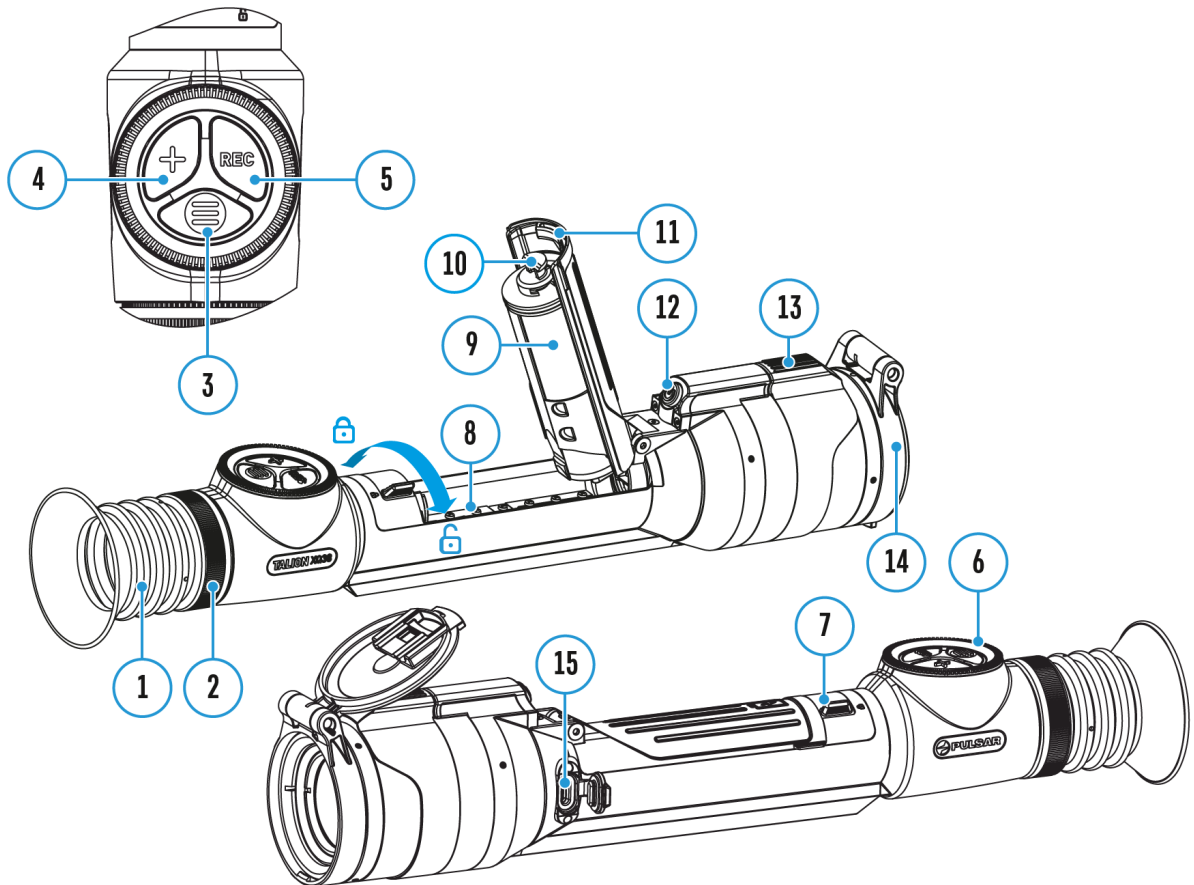
Operation	Button
Power device on	⏻ short press
Power device off	⏻ long press for 3 secs
Turn display off	⏻ long press for less than 3 secs
Turn display on	⏻ short press
Calibrate the microbolometer	⏻ short press



Control discrete digital zoom	 short press
Smooth Zooming	 rotation
PiP on/off	 long press
<b>Video Recorder</b>	<b>Button</b>
Start/pause/resume video recording	 short press
Stop video recording	 long press
Switch to video / photo mode	 long press
Capture Photo	 short press
<b>Main Menu</b>	<b>Button</b>
Enter main menu	 long press
Navigation through menu	 rotation
Enter menu items	 short press
Confirm value	 short press
Exit menu items	 long press
Exit main menu	 long press
<b>Quick Menu</b>	<b>Button</b>
Enter quick menu	 short press
Switch between quick menu options	 short press
Parameter change	 rotation
Exit quick menu	 long press

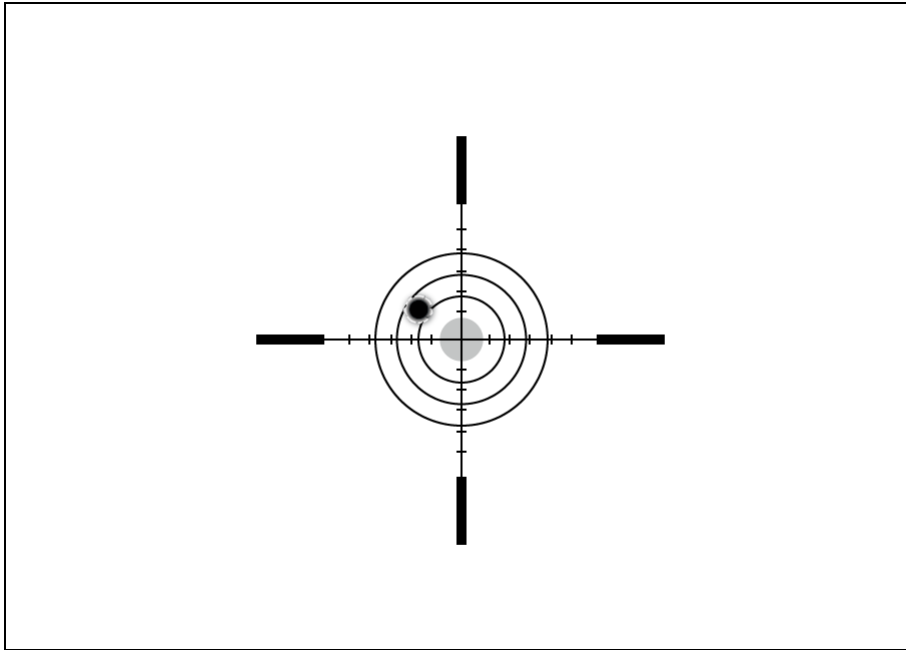
# Zeroing



## Show device diagram





Zeroing at a temperature close to the riflescope's operating temperature is recommended.

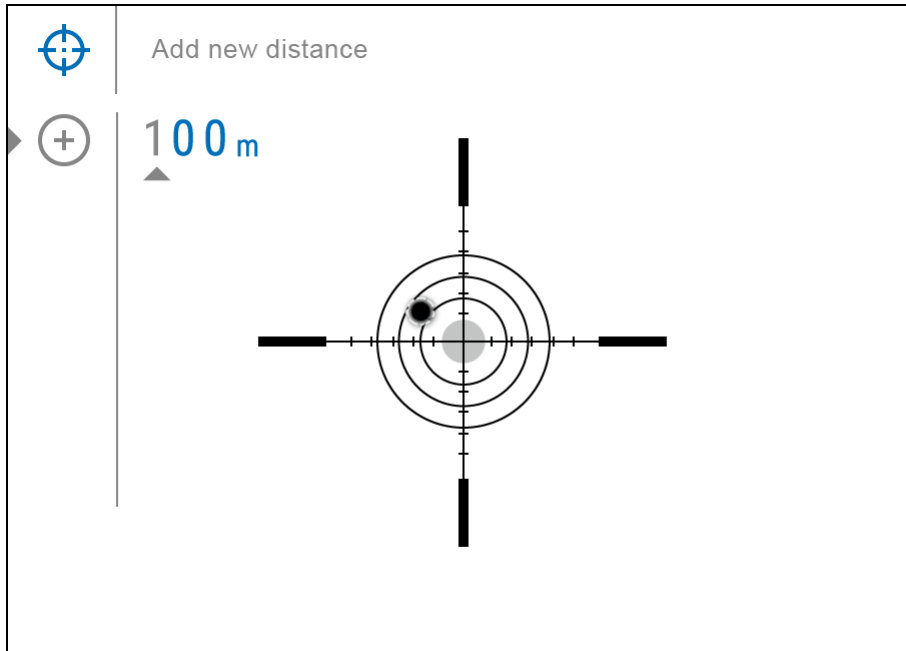
### Step 1. Take a shot





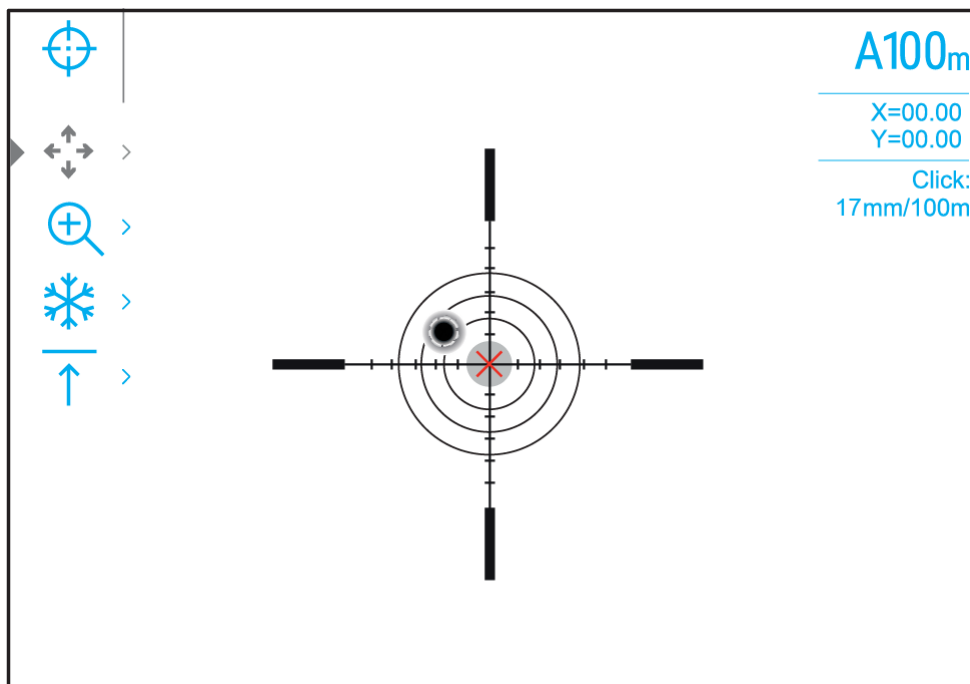
1. Shooting from a benchrest is recommended.
  2. Set a target at a known distance.
  3. Adjust the riflescope according to the **Powering on and Image Setting** section.
  4. Select the zeroing profile (see **Reticle & Zeroing**  -> **Zeroing Profile**  main menu item)
  5. Point the rifle at the center of the target and shoot.
- 


## **Step 2. Align the reticle with the point of impact**

1. Press and hold the **MENU (3)** button to enter the main menu.
2. Add the distance you are aiming at (e.g. 100 meters): **Reticle & Zeroing**  -> **Add New Distance** . Select the value for each distance digit by rotating the controller **(6)**. Press the **MENU (3)** button briefly to switch between digits. After setting the required distance, press and hold the **MENU (3)** button to save it.



3. After adding the distance, it will switch to the **Zeroing parameters settings** menu . An auxiliary cross  will appear in the center of the display, and X and Y coordinates of the auxiliary cross will appear in the upper right corner.



4. Press the **MENU (3)** button briefly to enter the **Windage/Elevation**  submenu.


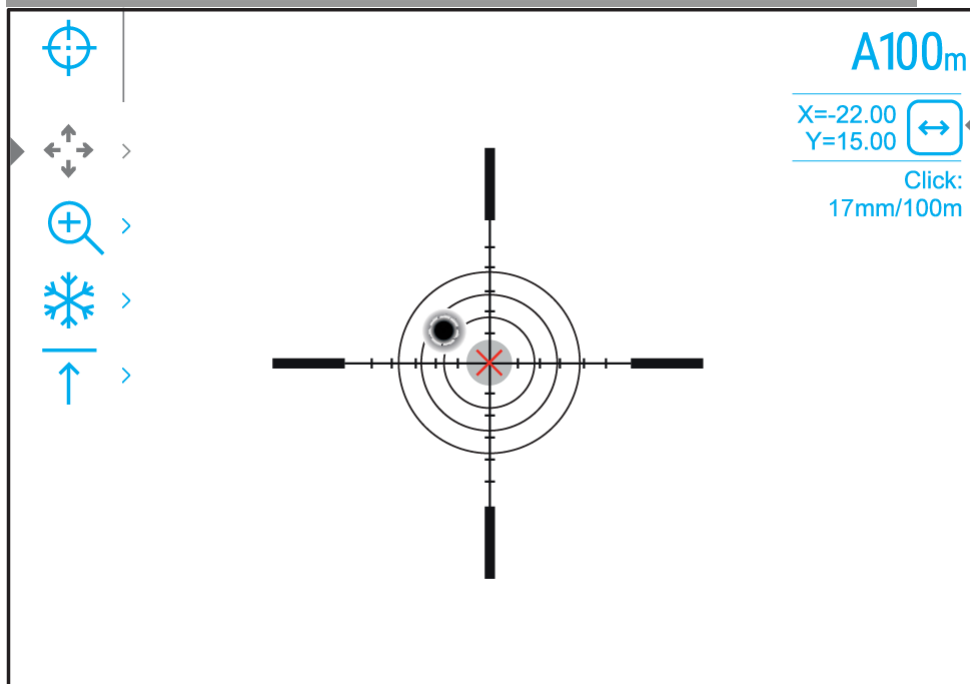
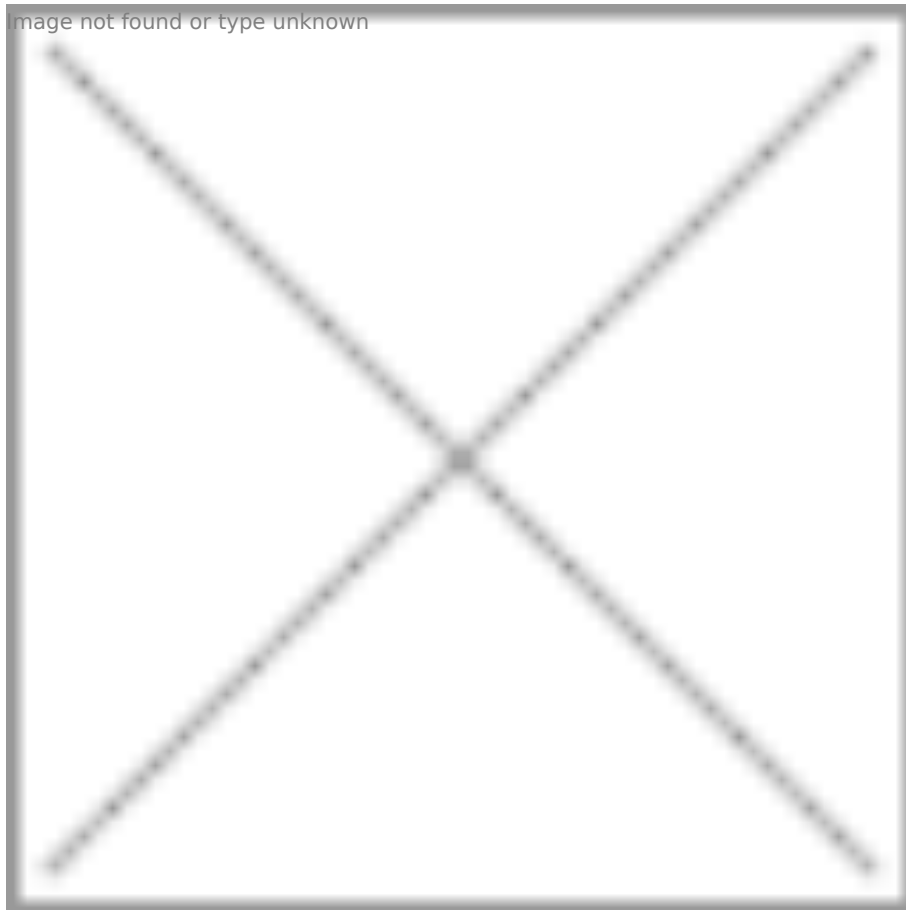
5. While holding the reticle at the aiming point, move the auxiliary cross  until it is aligned with the impact point by rotating the controller **(6)**.

image not found or type unknown


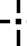




**6.** To change the direction of the auxiliary cross movement from horizontal to vertical, press the **MENU (3)** button briefly.

---

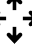
### **One-shot "Freeze Zeroing" function:**

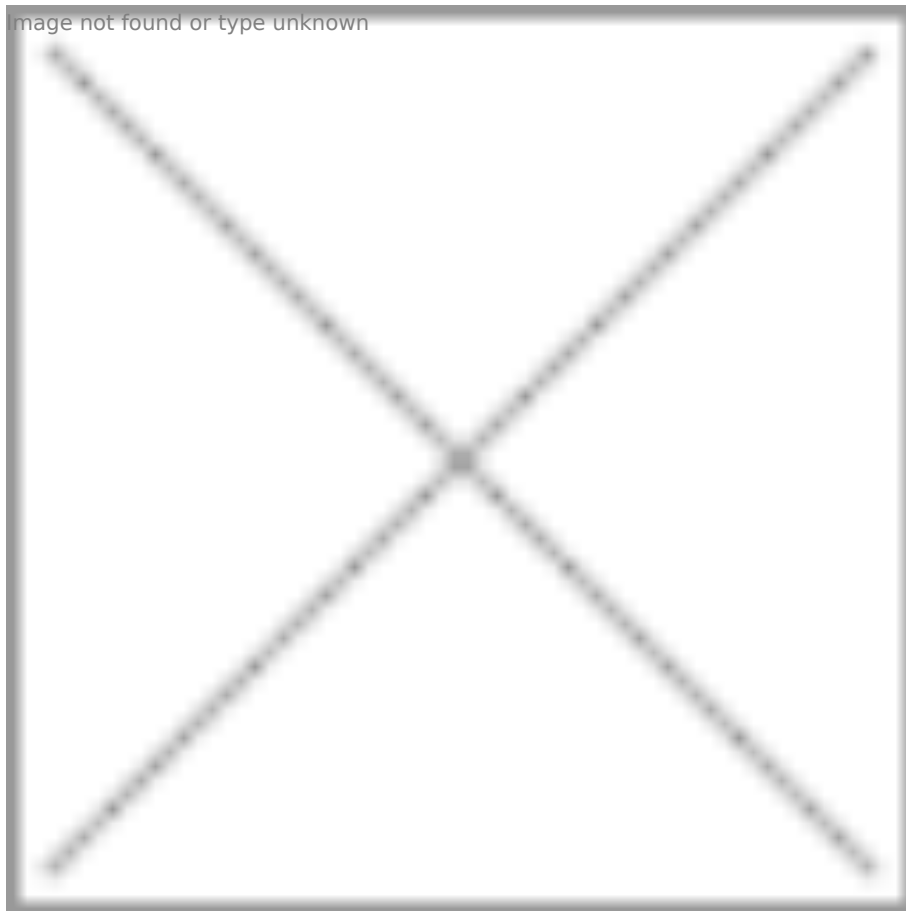
Using the **Freeze** function allows you to make adjustments without the

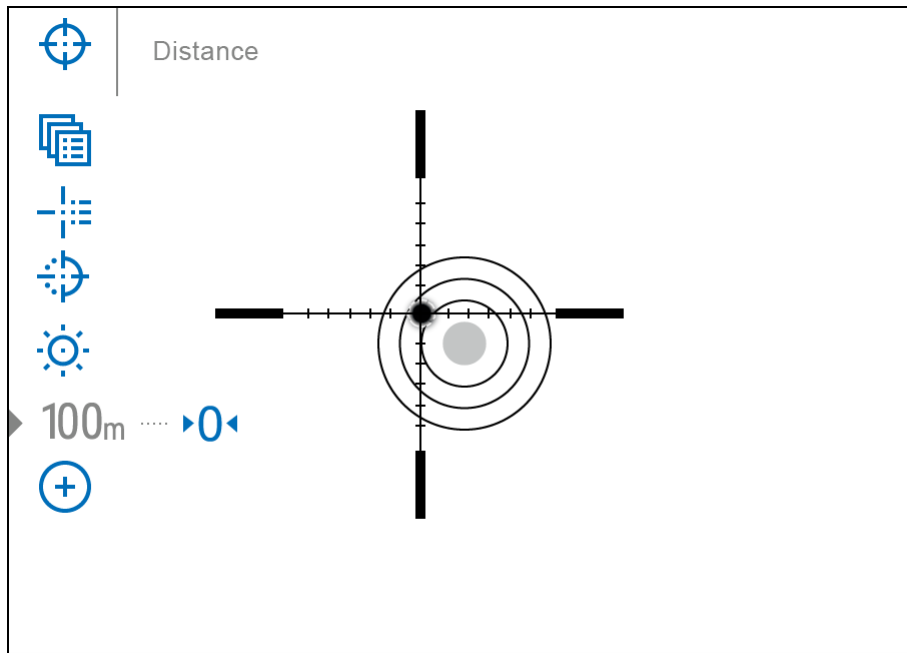
need to hold the rifle precisely at the initial aiming point - freezing the zeroing screen (refer to **Reticle & Zeroing**  menu item => **Distance** submenu => **Zeroing Parameters Settings**  submenu => **Freeze**  submenu or short pressing of the **ON/OFF (12)** button. The image will “freeze” and the  icon will appear.

---

### Step 3. Save the coordinates

**1.** Press and hold the **MENU (3)** button to save a new position for the reticle. The reticle will be aligned with the impact point and it will exit the **Windage/Elevation**  submenu.






**2.** Press and hold the **MENU (3)** button again to exit the zeroing settings menu - the message “Zeroing coordinates saved” appears, confirming the successful operation.

**3.** Fire a second shot - now the point of impact and the aiming point must be matched.

# Status Bar



The status bar at the bottom of the display shows current operating statuses via icons, including:

1. Colour Mode (shown only when the Black Hot color mode is selected)
2. Actual zeroing profile (e.g., A)
3. Zeroing distance (e.g., 100 m)
4. Amplification level (e.g., Normal)
5. Smoothing Filter (displayed when the function is on)
6. Calibration mode (a countdown timer  00:03 will appear instead of the calibration icon when in automatic calibration mode with 3 seconds remaining until automatic calibration)
7. Magnification
8. Microphone
9. Wi-Fi connection
10. Auto Shutdown function (e.g., 5 min.)
11. Clock
12. Power Indication:

 - charge level if the device is powered by a battery

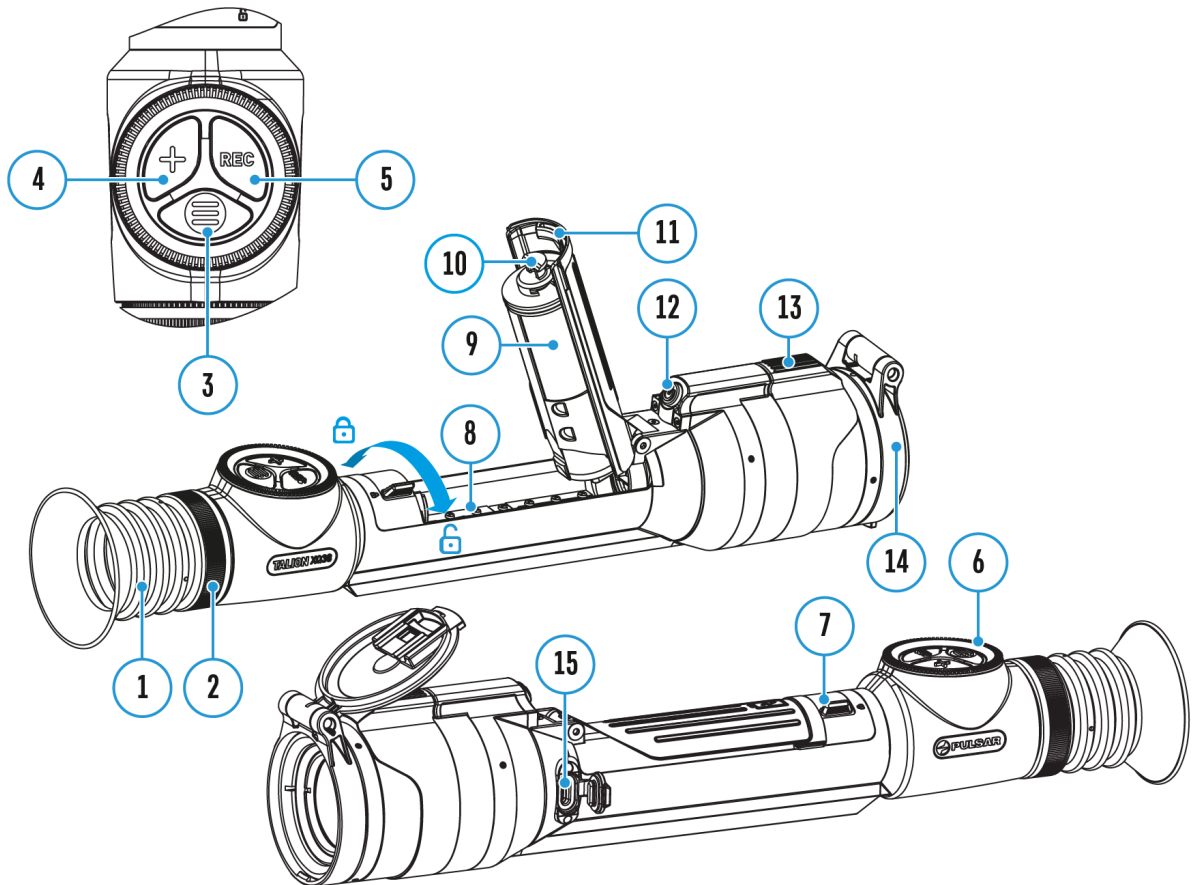
 - charge level if the device is charging and powered by a battery

 - no battery, the device is connected to an external power supply



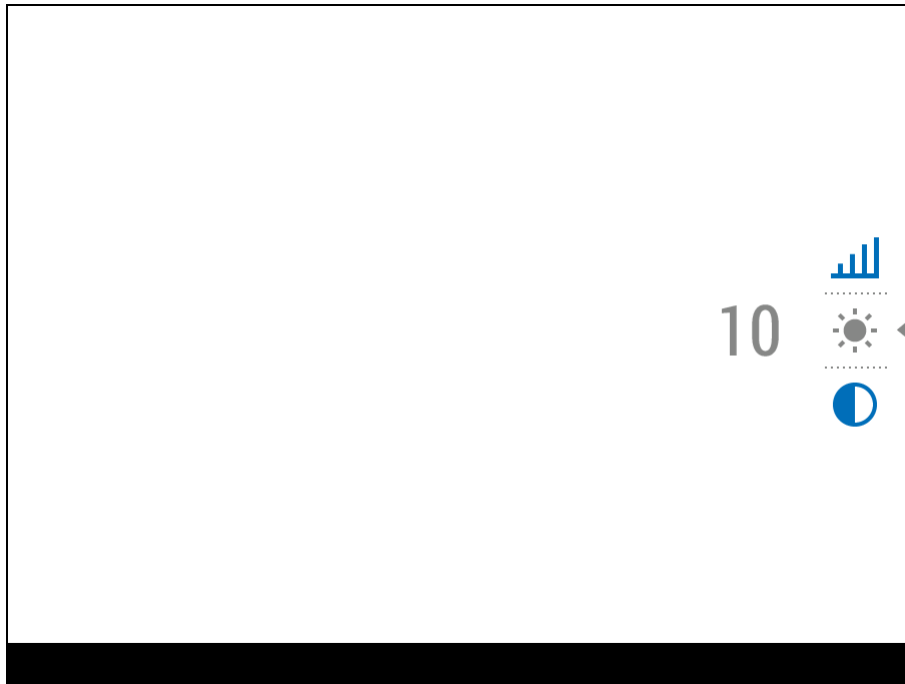
# Quick Menu


## Show device diagram




The quick menu allows you to control the main settings of the riflescope (brightness, contrast), select the sensitivity amplifying level, measure the distance using a stadiometric rangefinder and change the zeroing distance (if there are several) to another one in the current profile.

- Press the **MENU (3)** button briefly to enter the quick menu.
- A short press of the **MENU (3)** button enables you to switch between functions, as described below.







**Brightness**  - rotate the controller **(6)** to change the display brightness value from 00 to 20.

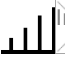

**Contrast**  - rotate the controller **(6)** to change the image contrast value from 00 to 20.

**A100**   - information on the current profile and zeroing

distance in this profile (e.g., profile A, zeroing distance of 100 m). This information is always displayed in the status bar. Rotate the controller **(6)** to switch between the zeroing distances in the selected profile. This function is available if there are two or more distances in the profile.

**Amplification Levels**  - allows you to select one of three **amplifying levels of sensitivity** (Normal , High , Ultra ).

*Note:* To maintain brightness and contrast settings when changing amplifying levels, activate **User Mode**.

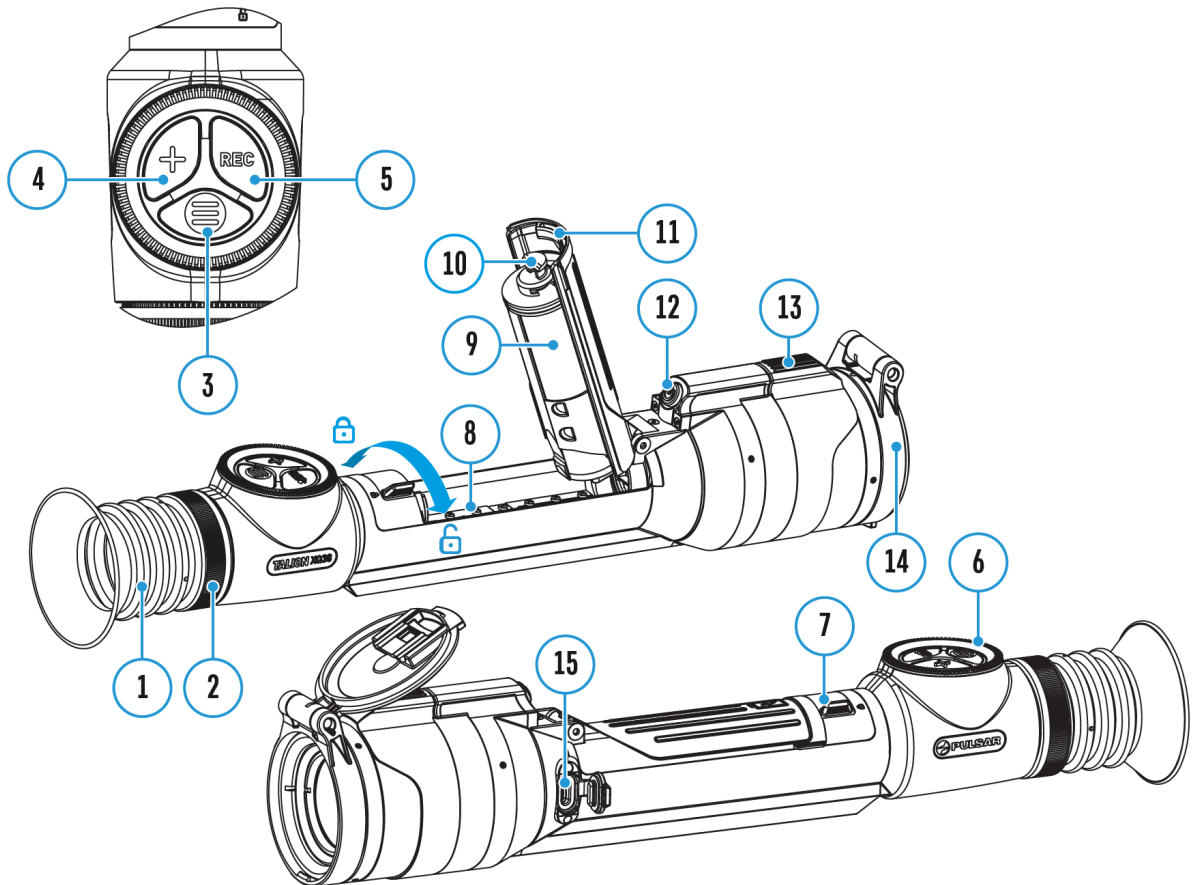
**Stadiametric rangefinder**   - rotating the controller **(6)**, change the distance between the special mark points to determine the distance to the observed object (for more details on the rangefinder, see the **Stadiametric Rangefinder** section).

- Press and hold the **MENU (3)** button to exit the menu or wait 10 seconds





to exit automatically.

# Amplification Level

## Show device diagram



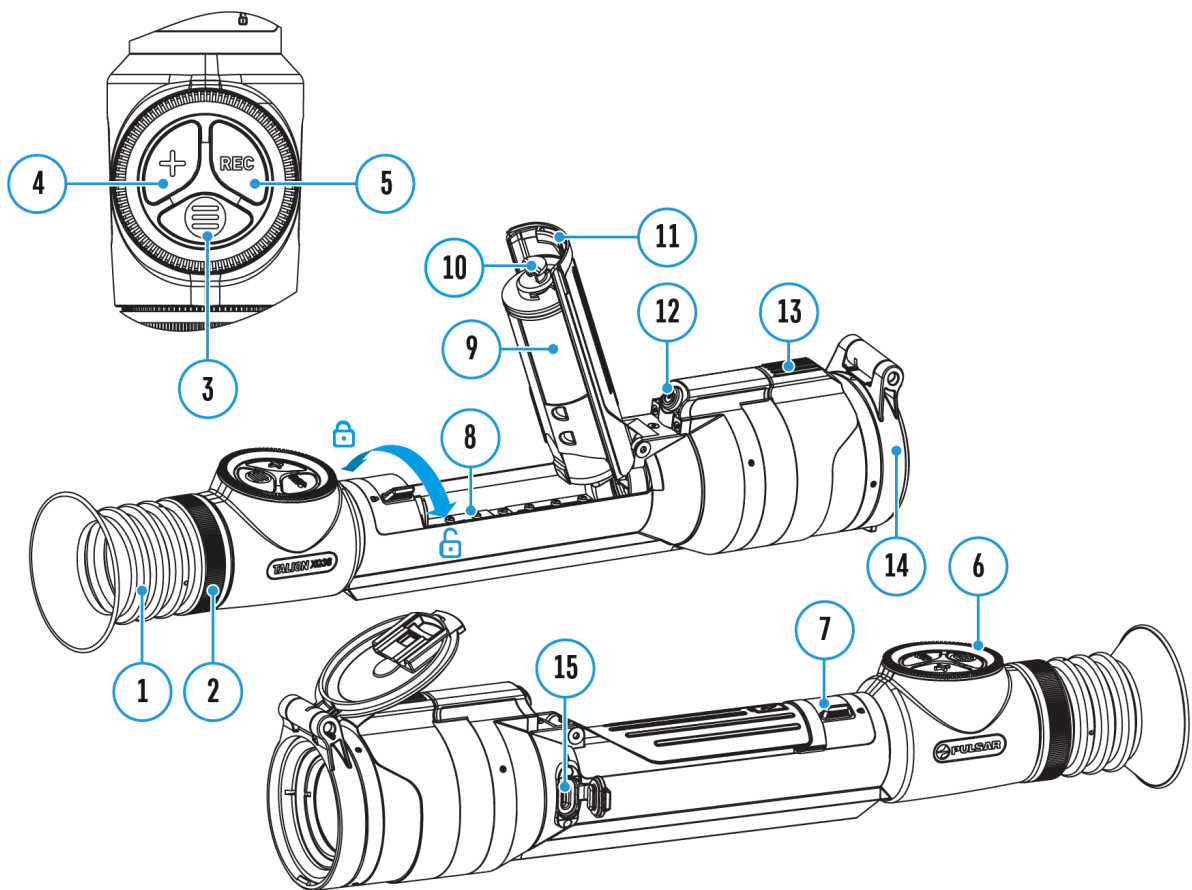
Sensitivity enhancement levels (Normal, High, Ultra) are software algorithms that enhance the quality of detection and recognition in various observation conditions. When the temperature contrast decreases (fog, precipitation, high humidity), it is recommended to increase the amplification level. To optimize the image, activate the **Smoothing Filter** in the main menu.

1. Press and hold the **MENU(3)** button to enter the quick menu.
2. By short pressing the **MENU(3)** button select the menu item **Amplification level** .
3. Rotate the controller (**6**) to select one of the levels: Normal , High , Ultra .

4. Press and hold the **MENU (3)** button to exit the menu or wait for 3 seconds to exit automatically.

# Video Recording and Photography

## Show device diagram



---

The riflescope is equipped with a function for video recording (photography) of the observed image that is saved on the built-in memory card.

Before using the photo and video functions, read the **Date and Time** subsections of the **General Settings** section.


---

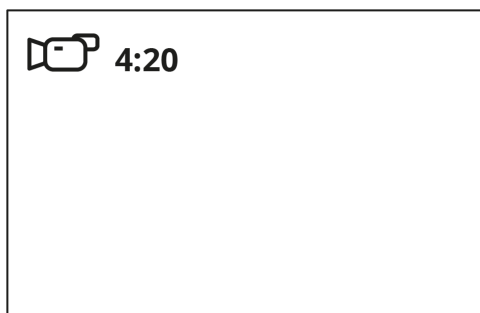
Built-in recorder operates in two modes:

- **Photo** (photography; the icon  is displayed in the upper left corner of

the display).




- **Video** (video recording; the icon  is displayed in the upper left corner of the display, the total remaining recording time is given taking into account the current resolution in the HH:MM format (hours:minutes).



Toggle (switch) between the riflescope operating modes with a long press of the **REC (5)** button. Switching between the modes is cyclical (**Video**-> **Photo**-> **Video**...).


---

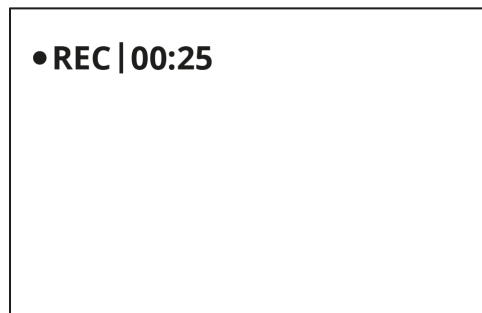
### **Photo mode. Capturing an image**

1. Switch to the **Photo**mode with a long press of the **REC (5)** button.
  2. Press the **REC (5)** button briefly to capture a photo. The icon  flashes – the photo file is being saved to the built-in SD card.
- 

### **Video mode. Recording a video**

1. Switch to the **Video** mode with a long press of the **REC (5)** button.
2. Press the **REC (5)** button briefly to start video recording.

3. When the video recording starts, the icon  will disappear, instead of it the **REC** icon as well as the video recording timer displayed in the MM:SS (minutes:seconds) format will appear ●REC | 00:25.



4. Pause/continue recording by briefly pressing the **REC (5)** button.

5. Press and hold the **REC (5)** button to stop video recording.

Video files are stored in the built-in memory card:

- After turning off the video recording;
- Upon powering the riflescope off if recording was on;
- When the memory card is overfilled during recording (Memory Full message appears on the display).

---

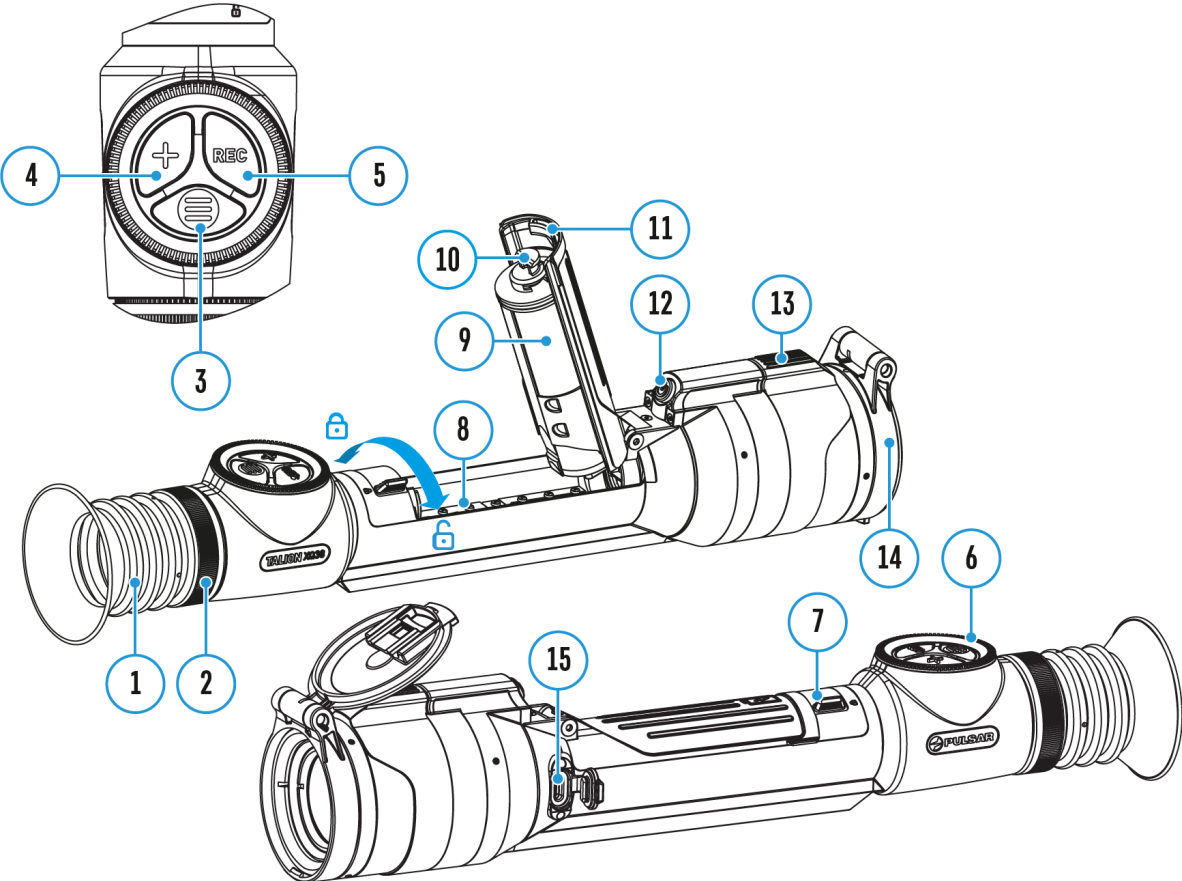
*Notes:*

- You can enter and navigate the menu during video recording.
- Recorded videos and photos are saved to the built-in memory card of the riflescope in the format img\_xxx. jpg (for photos); video\_xxx. mp4 (for video).
- Maximum duration of a recorded video file is 5 minutes. After this time expires, the video is recorded to a new file. The number of recorded files is limited by the capacity of unit's internal memory.
- Regularly check free memory within the built-in memory card and move the footage to other storage media to free up the memory card space.




# Discrete Digital Zoom

Show device diagram



Discrete digital zoom allows you to quickly increase the basic magnification (see **Magnification** line in the table of **Technical Specifications**) by 2x or 4x, as well as return to the basic magnification.

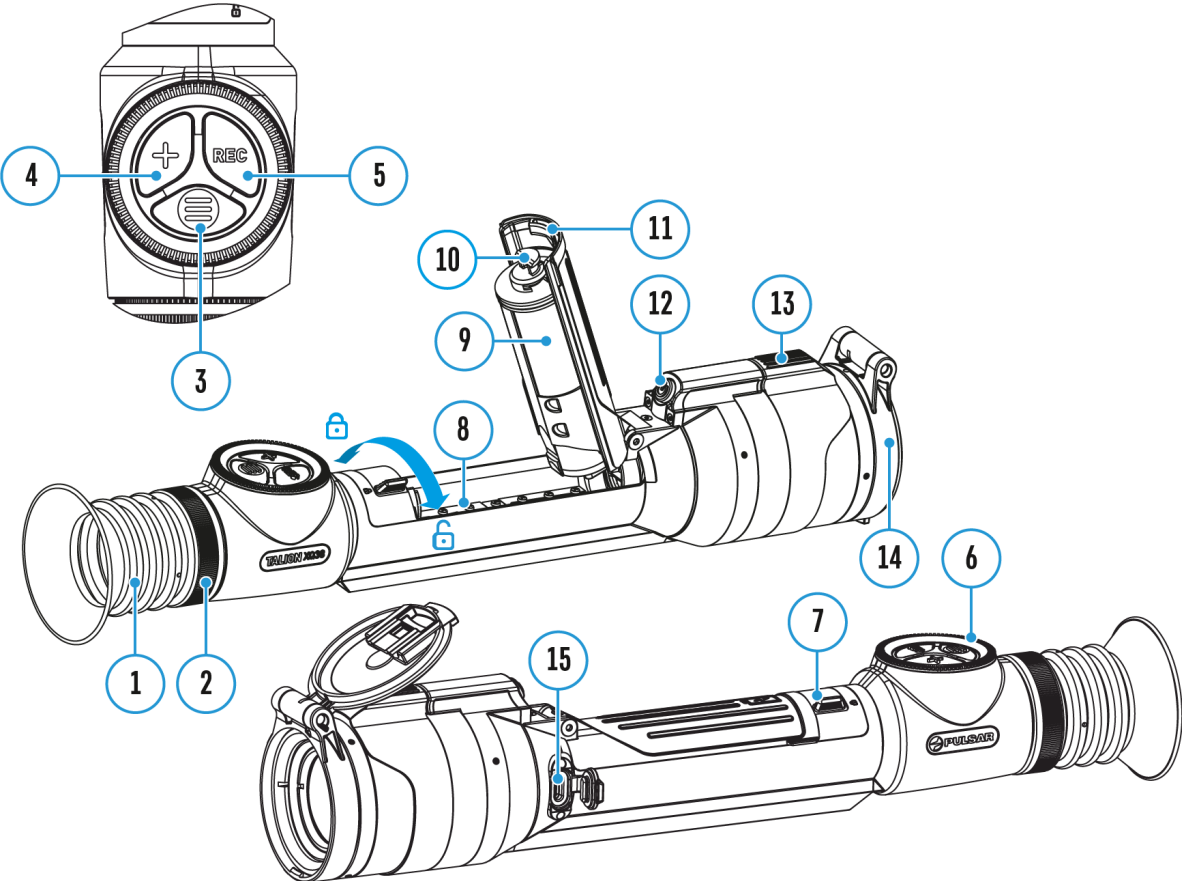


- Press the **ZOOM (5)** button successively to change the magnification ratio of the riflescope.
- While the icon  is visible on the screen, rotate the controller ring **(6)**

for smooth digital zooming from the current magnification.

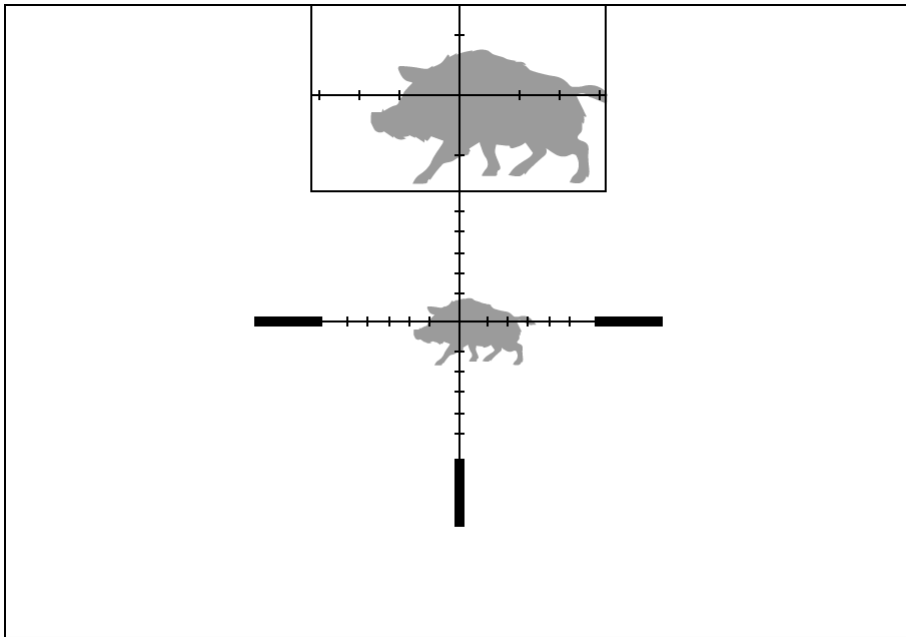
# PiP Function


Show device diagram



---

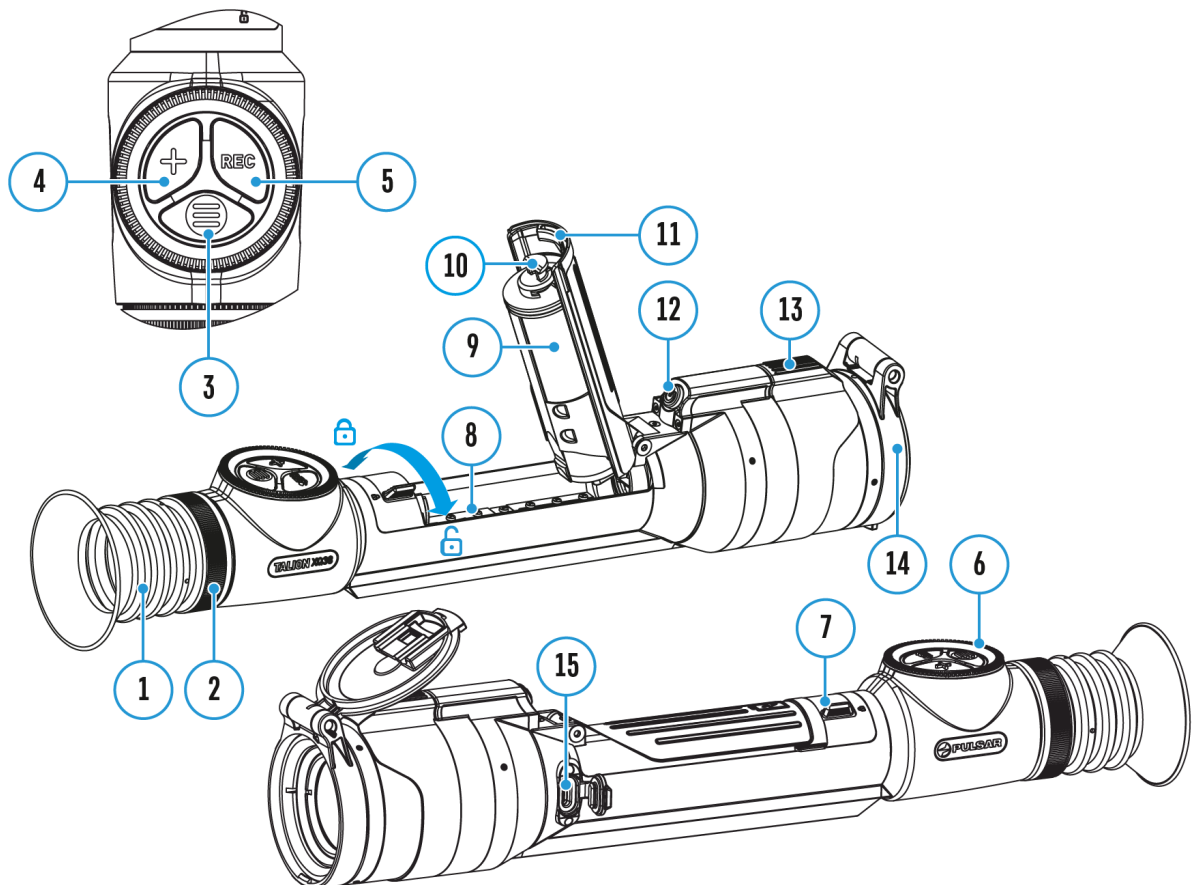
The PiP function (Picture-in-Picture) allows you to see both a magnified image in a particular dialog box and the main image.



1. Press and hold the **ZOOM (4)** button to turn on/off the PiP function.
2. To change the digital zoom in the PiP window, briefly press the **ZOOM (4)** button or rotate the controller **(6)** until the icon is visible on the screen .
3. The magnified image is displayed in a particular dialog box, with the full magnification being used.
4. The rest of the image is displayed only with the optical zoom (digital zoom is off).
5. When PiP is turned off, the display shows the full magnification set for the PiP mode.

# Display-Off Function

## Show device diagram



This function deactivates the image transmission to the display by minimizing its brightness. This helps prevent accidental disclosure. However, the device stays on.

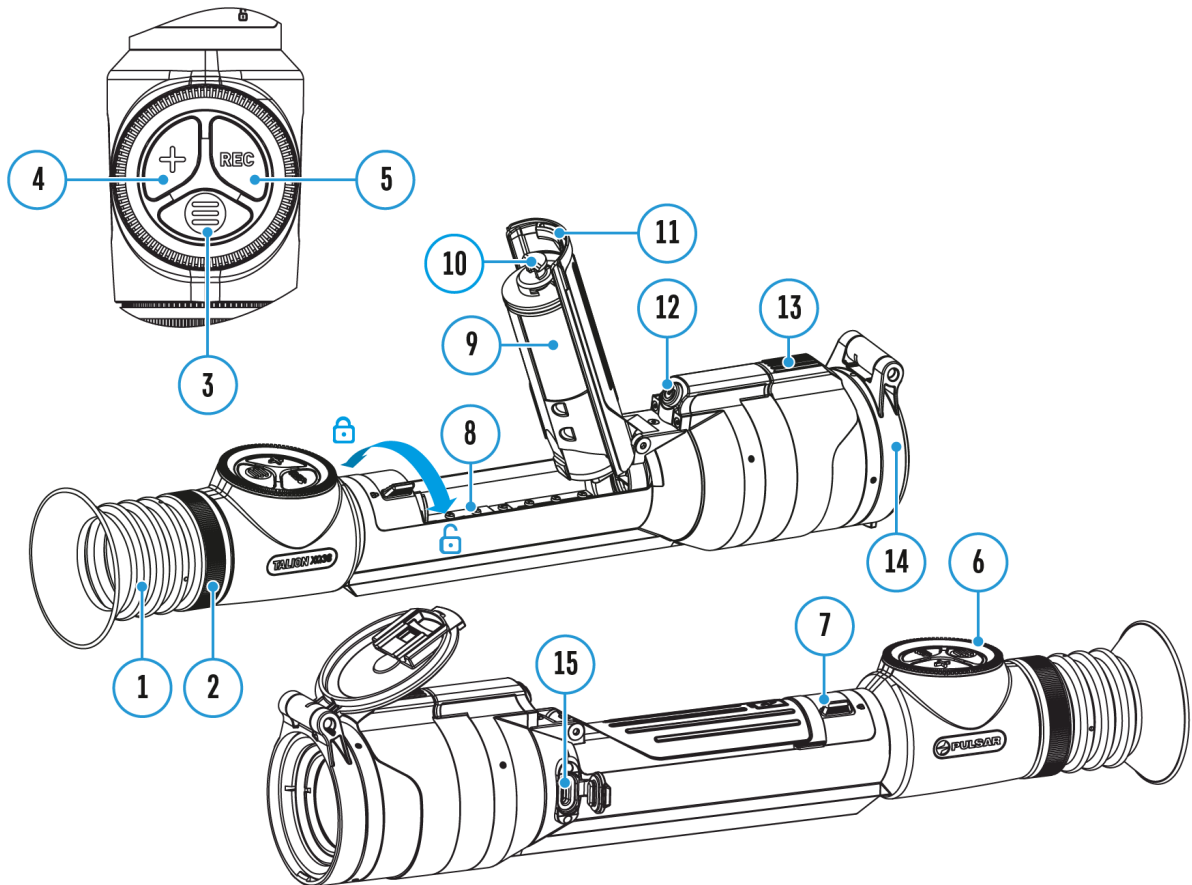


1. When the device is on, press and hold the **ON/OFF (12)** button for less than 3 seconds. The display will turn off, the current time and the **"Display off"** icon will appear.
2. Press the **ON/OFF (12)** button briefly to turn on the display.


3. When you press and hold the **ON/OFF (12)** button, the display shows the "**Display off**" icon with a countdown. Holding the button down for the duration of the countdown will power the device off completely.

# Wi-Fi Function

## Show device diagram









The riflescope has a function for wireless communication with mobile devices (smartphone or tablet) via Wi-Fi.

1. To enable the wireless module, enter the main menu by long pressing the **MENU (3)** button.
2. Rotate the controller **(6)** to select the **Wi-Fi Activation**  menu item.
3. Press the **MENU (3)** button briefly to turn on/off the Wi-Fi module.

Wi-Fi is displayed in the status bar as follows:

Indication in the Status Bar	Connection Status
------------------------------	-------------------

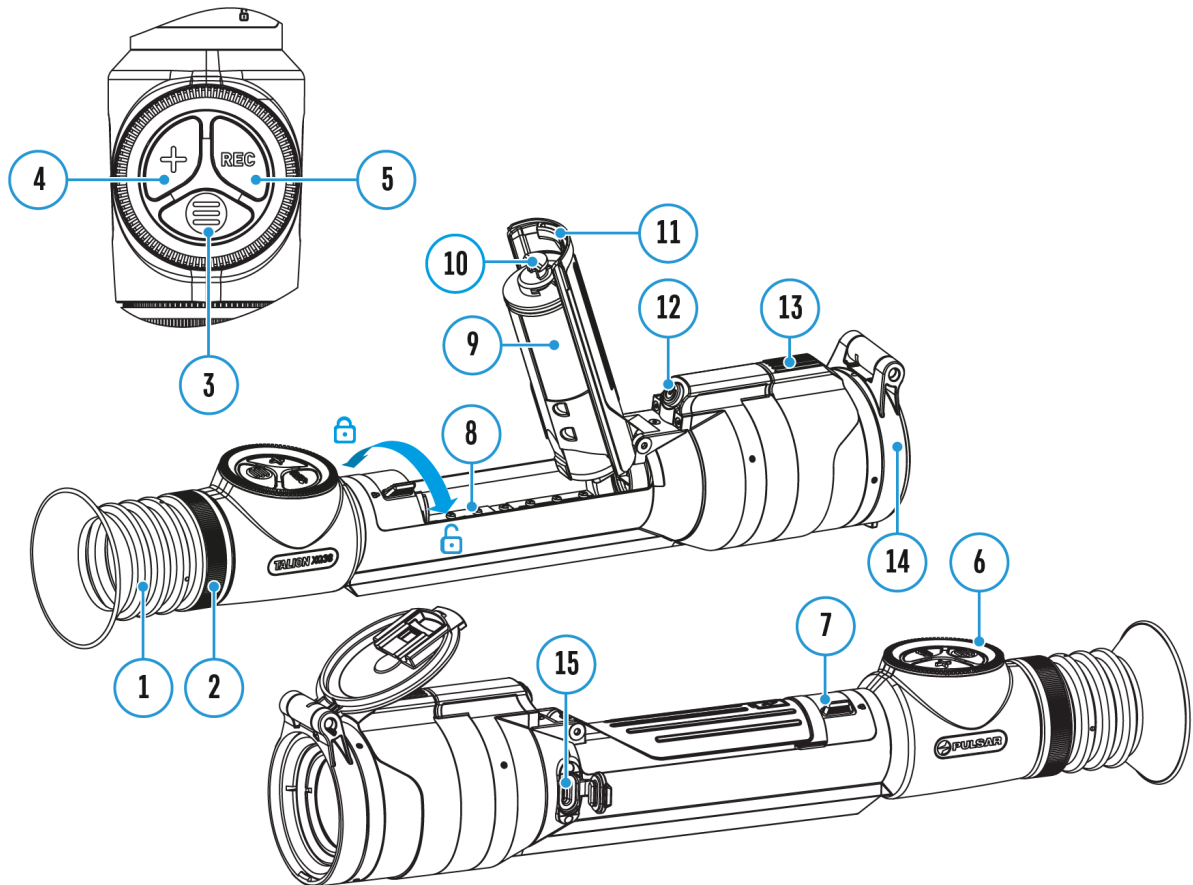
	Wi-Fi is switched off
	Wi-Fi is switched on by the user, Wi-Fi connection in the riflescope is in progress.
	Wi-Fi is switched on, there is no connection to the riflescope
	Wi-Fi is switched on, there is connection to the riflescope

- An external device recognizes the riflescope under the name Talion\_XXXX, where XXXX are the four last digits of the serial number.
- After entering the password (**default: 12345678**) on a mobile (see **Password Setup** subsection of the **Wi-Fi Settings** section for more information on setting a password) and setting up a connection, the icon  in the riflescope status bar changes to  found or type unknown






# Scalable Reticles

## Show device diagram



This function is designed to preserve ballistic properties of the scalable reticles X51Fi-300, M56Fi, M57Fi for all magnifications.

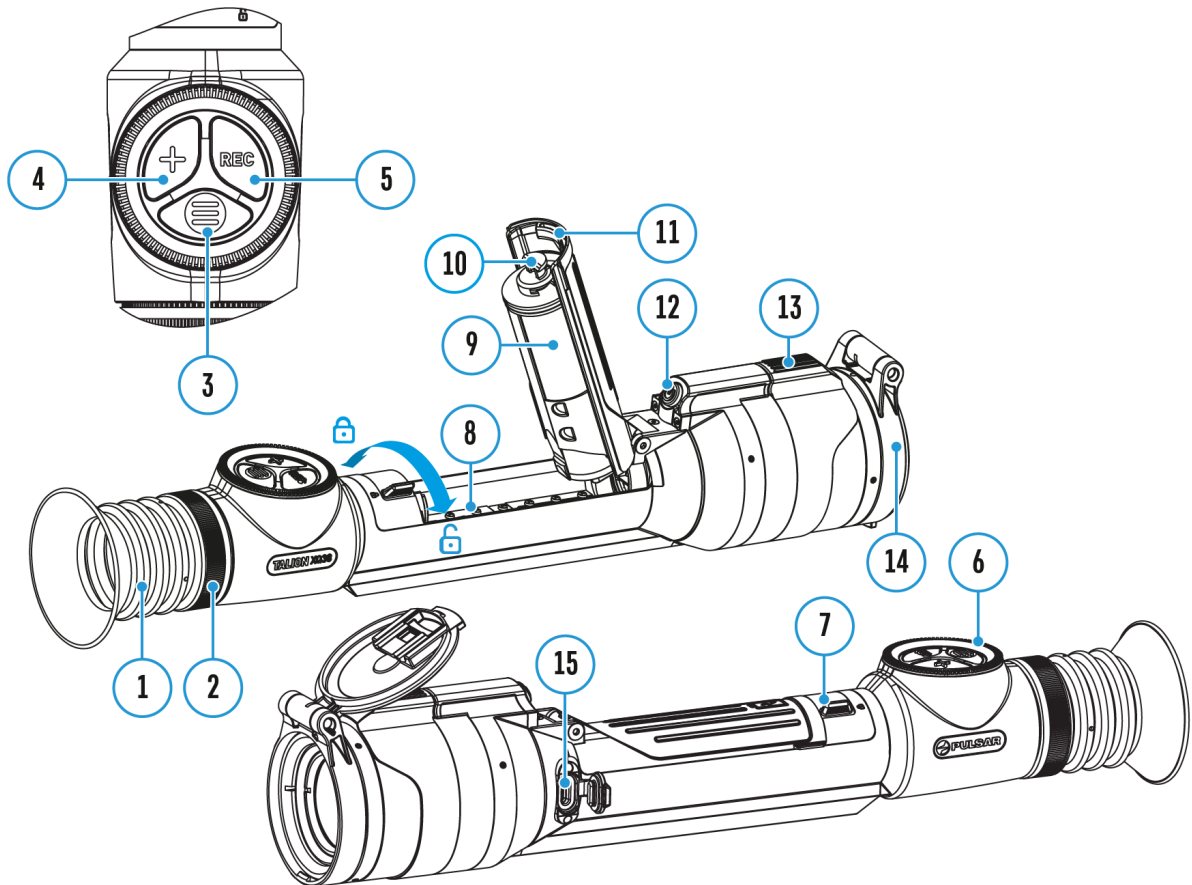
1. Enter the main menu with a long press of the **MENU (3)** button.
2. Enter submenu **Reticle & zeroing**  -> **Reticle Type**  
3. Select the reticle X51Fi-300, M56Fi, M57Fi.

Notes:

- When zooming in and out the image, the selected reticle on the display and in the recorded video changes its geometrical size according to the magnification selected.
- The reticle scale changes both on the main display and in the PiP mode.

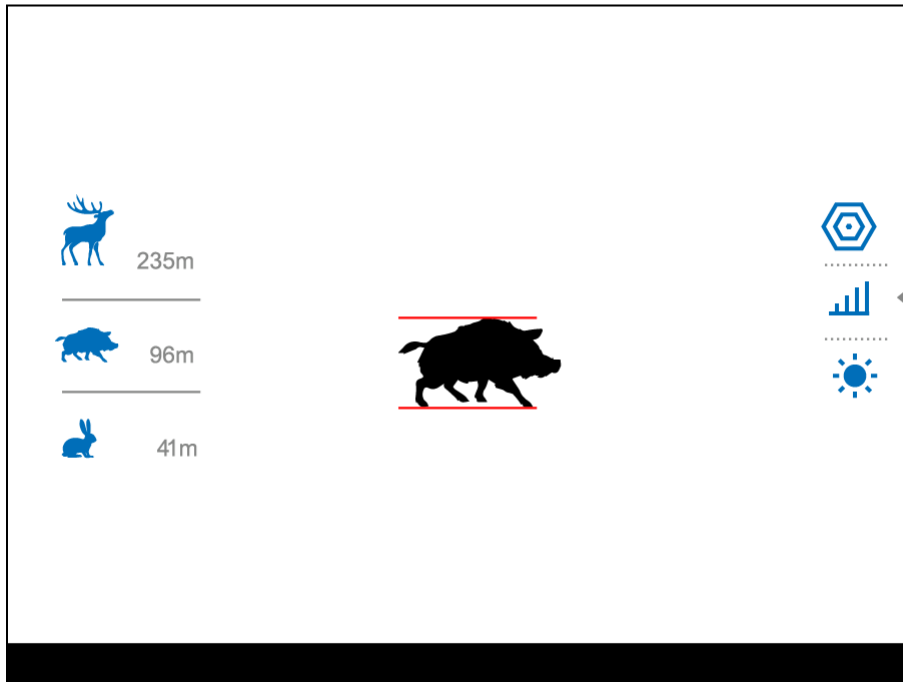
# Stadiametric Rangefinder


Show device diagram




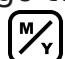
---

Thermal imaging riflescopes are equipped with a stadiametric rangefinder, which allows you to determine the approximate distance to an object, if its size is known.



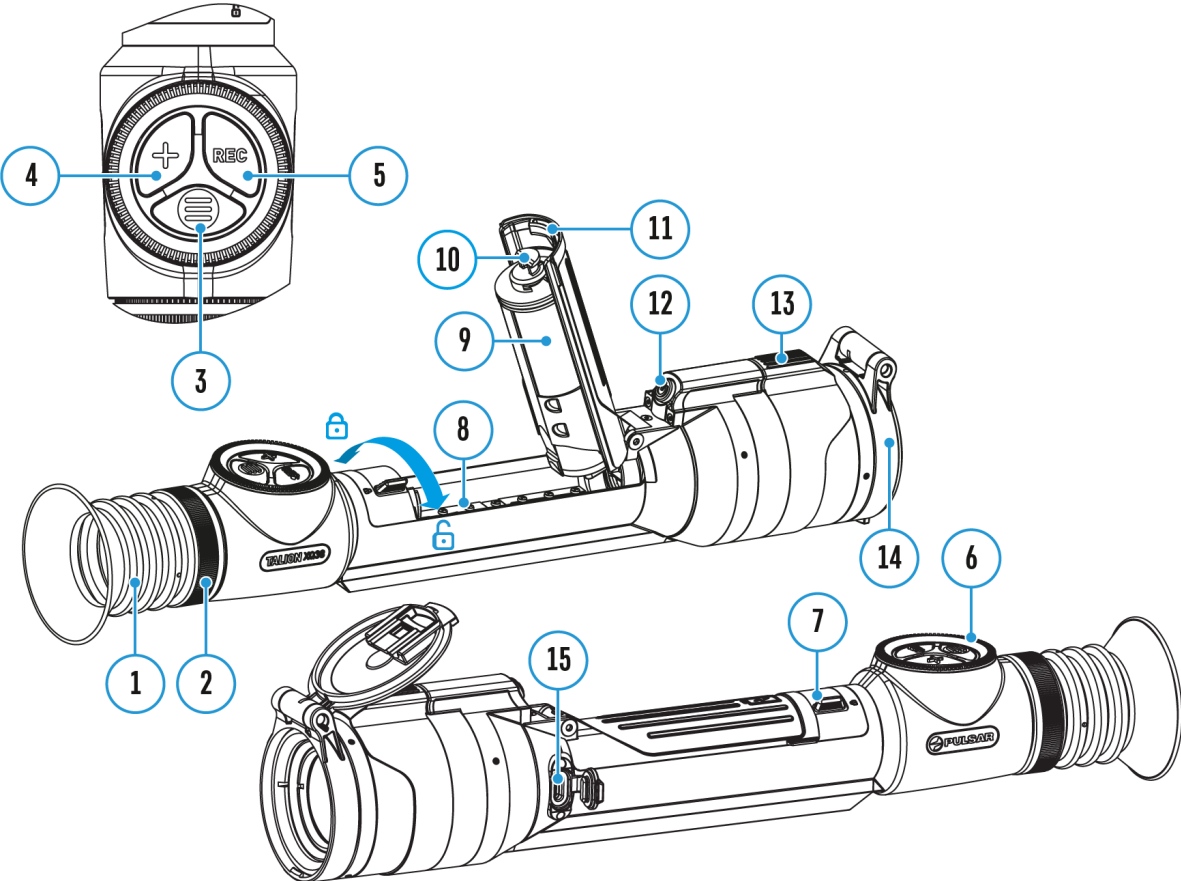
1. To select the **Stadiametric Rangefinder** function, enter the **Quick Menu** by briefly pressing the **MENU (3)** button.
2. Press the **MENU (3)** button briefly to select the icon . Image not found or type unknown
3. The display will show the lines for measurements, the icons and numbers of the measured distance for three objects.
4. Place the bottom fixed line under the object.
5. Rotate the controller **(6)** to move the upper line relative to the lower horizontal fixed line so that the object is located directly between the lines. A target range automatically recalculated along with movement.
6. To exit the rangefinder mode, briefly press the **MENU (3)** button or wait 10 seconds to exit automatically.

*Notes:*

- There are three predefined values for objects: Hare – 0.3 m high, Boar – 0.7 m high, Deer – 1.7 m high.
- The measured range value is rounded off before being displayed – for large range values up to 5 m, for shorter range – up to 1 m.
- To select a unit of measurement (meters or yards), go to the **General Settings**  Image not found or type unknown menu item => **Units of Measure**  submenu.

# USB Connection

Show device diagram



## USB connection




- ▶ Use as power
- Use as memory card

1. Press the **ON/OFF (12)** button briefly to power the riflescope on (the computer will not detect the riflescope if it is turned off).
2. Connect one end of the USB cable to the USB Type-C **(15)** connector of the riflescope, the other one to the port on your computer using a USB Type-A adapter.
3. The riflescope is detected by the computer automatically and no installation of drivers is required.
4. After a few seconds, two connection options appear on the display:  
**Power** and **Memory card**.
5. Rotate the controller **(6)** to select the connection mode.
6. Press the controller **MENU (3)** briefly to confirm your selection.

---

### Power

- Upon choosing this mode, your PC is used as an external power supply. An icon  will appear in the status bar.
- The riflescope continues operating and all functions are accessible.
- A battery recharge feasibility depends on your computer's USB port.

---

### Memory Card

- When selecting this mode, the computer recognizes the riflescope as a memory card. This mode is designed to manage the files saved in riflescope's memory.
- The riflescope's functions are not available in this mode; the riflescope

turns on. The device continues to operate after being disconnected from the computer.

- If a video was being recorded at the moment of connection, the recording will stop and will be saved.
- 

## **USB Disconnection**

- When the USB is disconnected from the riflescope, connected as the **Power** mode, the riflescope continues operating from the rechargeable battery if sufficiently charged.
- When the USB is disconnected from the riflescope connected in the **Memory Card** mode, the riflescope remains switched on.

# Stream Vision 2



Install the Stream Vision 2 application to download files, update firmware, control the device by remote control and broadcast images from your device to a smartphone or a tablet via WiFi.

We recommend using the latest version – Stream Vision 2.

---



You can find further guidelines on Stream Vision 2 [here](#).

[Download](#) from Google Play

[Download](#) from App Store

Find answers to frequently asked questions about using Stream Vision 2 [here](#).



# Firmware Update

1. Download free Stream Vision 2 App in [Google Play](#) or [App Store](#).
2. Connect your Pulsar device to your mobile device (smartphone or tablet).
3. Launch Stream Vision 2 and go to section “Settings”.
4. Select your Pulsar device and press “Check firmware update”.
5. Wait for the update to download and install. Pulsar device will reboot and will be ready to operate.

## **Important:**

- if your Pulsar device is connected to phone, please turn on mobile data transfer (GPRS/3G/4G) to download update;
- if your Pulsar device is not connected to your phone but is already listed in “Settings” > “My devices” section, you may use Wi-Fi to download update.

Find answers to frequently asked questions about using Stream Vision 2 [here](#).

# Technical Inspection

It is recommended to carry out a technical inspection each time before using the riflescope. Check the following:

- The riflescope appearance (there should be no cracks on the body).
- The state of the lenses of the objective, eyepiece and rangefinder (there should be no cracks, greasy spots, dirt or other deposits).
- The state of the rechargeable battery (it should be fully charged) and the electric contacts (there should be no signs of salts or oxidation).
- The controls should be in working order.

# Technical Maintenance

The maintenance should be carried out at least twice a year and includes the following steps:

- Wipe the exterior surfaces of metal and plastic parts off dust and dirt with a cotton cloth. To avoid damage to the paint coating, do not use chemically active substances, solvents, etc.
- Clean the electric contacts of the battery pack and battery slots on the riflescope using a non-greasy organic solvent.
- Check the battery charge (must be charged to 50-80%). Recharge the battery if necessary.
- Check the lenses of the eyepiece, objective and rangefinder. If necessary, remove dust and sand from the optics (it is preferable to use a non-contact method). Cleaning of the exterior surfaces of the optics should be done with cleaners designed especially for this purpose.

# Troubleshooting

## The device does not turn on

### Possible cause

The Battery Pack is empty

### Solution

Charge the Battery Pack

---

## The device does not operate from an external power source

### Possible cause

USB cable is damaged.

### Solution

Replace USB cable.

### Possible cause

The external power supply is discharged.

### Solution

Charge the external power supply.

---

**The image is fuzzy. There are distortions in the form of bars of different widths lying in different directions, or dots of different size and brightness.**

**Possible cause**

Calibration is required.

**Solution**

Perform image calibration according to [Calibration Mode](#) section.

---

**Black screen after calibration****Solution**

If the image does not clear after calibration, you need to recalibrate.

---

**The reticle is blurred and cannot be focused with the dioptre ring****Possible cause**

The dioptre adjustment range is not enough for your eyesight.

**Solution**

If you wear glasses with a range of -3/+4, keep glasses on when looking through the eyepiece.

---

**Coloured lines appeared on display or image has disappeared****Possible cause**

The device was exposed to static electricity during operation.

**Solution**

After exposure to static electricity, the device may either reboot automatically, or require turning off and on again.

---

**The image is too dark**

**Possible cause**

Brightness or contrast level is too low.

**Solution**

Adjust the brightness or contrast in the [Quick Menu](#).

---

## **The reticle is crisp but an object at least 30 m away is blurry**

**Possible cause**

Dust and condensation are covering the outside or inside optical surfaces.

**Solution**

Wipe the outer surface of the objective lens with a soft cotton cloth. Dry the riflescope. Let it stand for four hours in a warm room.

**Possible cause**

The lens is not focused.

**Solution**

Adjust the clarity of the picture by rotating the lens focus control.

---

## **The point of impact shifts after firing rounds**

**Possible cause**

The riflescope is not mounted securely or the mount was not fixed with thread sealant.

**Solution**

Check that the riflescope has been securely mounted.

Make sure that the same cartridge type and load bullets are being used as when the scope was initially zeroed.

If your riflescope was zeroed during the summer, and is now being used in the winter (or the other way round), in the day or night, or through extreme temperature changes) slight shifts in points of impact are possible. Double-checking your zero before hunting is recommended.

---

## **The riflescope will not focus**

### **Possible cause**

Wrong settings.

### **Solution**

Adjust the riflescope according to the [Powering on and Image Setting](#) section.

Check the outer surfaces of the objective lenses and eyepiece and, where necessary, wipe away dust, condensation, frost, etc. In cold weather, you can use special anti-fogging coatings (e.g., the same as for corrective glasses).

---

## **Smartphone or tablet cannot be connected to the device**

### **Possible cause**

Password in the riflescope was changed.

### **Solution**

Delete network and connect again inserting the password saved in the riflescope.

### **Possible cause**

There are too many Wi-Fi networks in the area where the riflescope is located which may cause signal interference.

### **Solution**

To ensure stable Wi-Fi performance, move the riflescope to an area with few or no Wi-Fi networks.

### **Possible cause**

The device has a 5 GHz network enabled, but the smartphone only supports 2.4 GHz.

### **Solution**

**Switch** the device's WiFi bandwidth to 2.4 GHz.

More information on solving problems with connection to Stream Vision 2 by following the [link](#).

---

## **Wi-Fi signal is missing or interrupted**

### **Possible cause**

Smartphone or tablet is out of range of a strong Wi-Fi signal. There are obstacles between the device and the smartphone or tablet (e.g., concrete walls).

### **Solution**

Relocate smartphone or tablet into the Wi-Fi signal line of sight.

More information on solving problems with connection to Stream Vision 2 by following the [link](#).



---

## **The image of the object being observed is missing**

### **Possible cause**

Observation through glass.

### **Solution**

Remove the glass from the field of vision.

---

## **Poor image quality / Reduced detection distance**

### **Possible cause**

These problems may occur during observation in adverse weather conditions (snow, rain, fog etc.).

---

## **There are several light or black dots (pixels) on riflescope's display or microbolometer**

### **Solution**

The presence of dots is caused by peculiarities of microbolometer or display production technology and is not a defect.

---

## **When the device is used in low temperature conditions the image quality is worse than in positive temperatures.**

### **Possible cause**

In positive temperature conditions, objects being observed (surroundings and background) heat up differently because of thermal conductivity, thereby generating a high temperature contrast.

Consequently, the image quality produced by the thermal imager will be better.

In low-temperature conditions, objects being observed (background) will cool down to roughly the same temperature, which leads to a greatly reduced temperature contrast and a degraded image quality. This is normal for all thermal imaging devices.

---

# Specifications

## XQ38

<b>Model</b>	<b>XQ38</b>
SKU	76561
<b>Microbolometer</b>	
Type	uncooled
Resolution, pixels	384x288
Pixel Pitch, $\mu\text{m}$	17
NETD, mK	< 40
Frame refresh rate, Hz	50
<b>Optical Specifications</b>	
Lens, mm	F38 F/1.2
Magnification, x	2.5-10
Eye relief, mm/inch	50/1.96
Field of view (H), $^{\circ}/\text{m}@100$	9.8/17.2
Diopter adjustment, D	-3/+4
Detection distance (Object of "deer" type), m/y	1350 / 1476
<b>Aiming Reticle</b>	
Click value (H/V), mm@100 m - when magnifying, x	17 - 2.5x 8.5 - 5x 4.25 - 10x
Click range, mm@100 m (H/V)	3400/3400
<b>Display</b>	

Type	AMOLED
Resolution, pixels	1024x768
<b>Operating Features</b>	
Diameter of the riflescope body to assemble the mounting rings, mm	30
Power Supply, V	3-4.2
Battery type / Capacity / Rated Output Voltage	Li-Ion Battery Pack APS5 / 4900 mAh / DC 3.7 V (removable)
External Power Supply	5 V, 9 V (USB Type-C Power Delivery)
Battery Pack operating time at temp. = 22 °C, hrs**	9
Max. recoil power on rifled weapon, Joules	6000
Max. recoil power on smoothbore weapon, caliber	12
Degree of protection IP code (IEC60529)	IPX7
Operating temperature, °C / °F	-25 - +50 / -13 - +122
Dimensions with an eyecup, mm/inch	330x57x67 / 12.99x2.24x2.64
Weight (without removable battery), kg/oz	0.7 / 24.69
<b>Video Recorder</b>	
Photo / video resolution, pixels	1024x768
Video / photo format	.mp4 / .jpg
Built-in memory	16 GB
<b>Wi-FiChannel***</b>	

Frequency	2.4/5 GHz
Standard	IEEE 802.11 b/g/n/ac

\* Purchased separately.

\*\* Actual battery life may vary depending on the use of Wi-Fi and the built-in video recorder.

\*\*\* The reception range may vary depending on various factors: obstacles, other Wi-Fi networks.

## XG35

<b>Model</b>	<b>XG35</b>
SKU	76563
<b>Microbolometer</b>	
Type	uncooled
Resolution, pixels	640x480
Pixel Pitch, $\mu\text{m}$	12
NETD, mK	< 40
Frame refresh rate, Hz	50
<b>Optical Specifications</b>	
Lens, mm	F35 F/1.0
Magnification, x	2-16
Eye relief, mm/inch	50/1.96
Field of view (H), $^{\circ}/\text{m}@100$	12.5 / 21.9
Diopter adjustment, D	-3/+4
Detection distance (Object of "deer" type), m/y	1750 / 1914
<b>Aiming Reticle</b>	
	21 - 2x
Click value (H/V), mm@100 m	10.5 - 4x
- when magnifying, x	5.25 - 8x
	2.6 - 16x
Click range, mm@100 m (H/V)	4200/4200
<b>Display</b>	
Type	AMOLED
Resolution, pixels	1024x768
<b>Operating Features</b>	

Diameter of the riflescope body to assemble the mounting rings, mm	30
Power Supply, V	3-4.2
Battery type / Capacity / Rated Output Voltage	Li-Ion Battery Pack APS5 / 4900 mAh / DC 3.7 V (removable)
External Power Supply	5 V, 9 V (USB Type-C Power Delivery)
Battery Pack operating time at temp. = 22 °C, hrs**	7
Max. recoil power on rifled weapon, Joules	6000
Max. recoil power on smoothbore weapon, caliber	12
Degree of protection IP code (IEC60529)	IPX7
Operating temperature, °C / °F	-25 - +50 / -13 - +122
Dimensions with an eyecup, mm/inch	330x57x67 / 12.99x2.24x2.64
Weight (without removable battery), kg/oz	0.7 / 24.69
<b>Video Recorder</b>	
Photo / video resolution, pixels	1024x768
Video / photo format	.mp4 / .jpg
Built-in memory	16 GB
<b>Wi-FiChannel***</b>	
Frequency	2.4/5 GHz
Standard	IEEE 802.11 b/g/n/ac

\* Purchased separately.

\*\* Actual battery life may vary depending on the use of Wi-Fi and the built-in

video recorder.

\*\*\* The reception range may vary depending on various factors: obstacles, other Wi-Fi networks.





# Legal Compliances and Disclaimers

**Attention!** Talion thermal imaging riflescopes require a licence when exported outside your country.

**Electromagnetic compatibility.** This product complies with the requirements of European standard EN 55032: 2015, Class A.

**Caution:** operating this product in a residential area may cause radio interference.

Improvements may be made to the design of this product to enhance its user features.

Repair of the device is possible within 5 years.

